

UPDATES

01/06/2021

Ishara Fernando

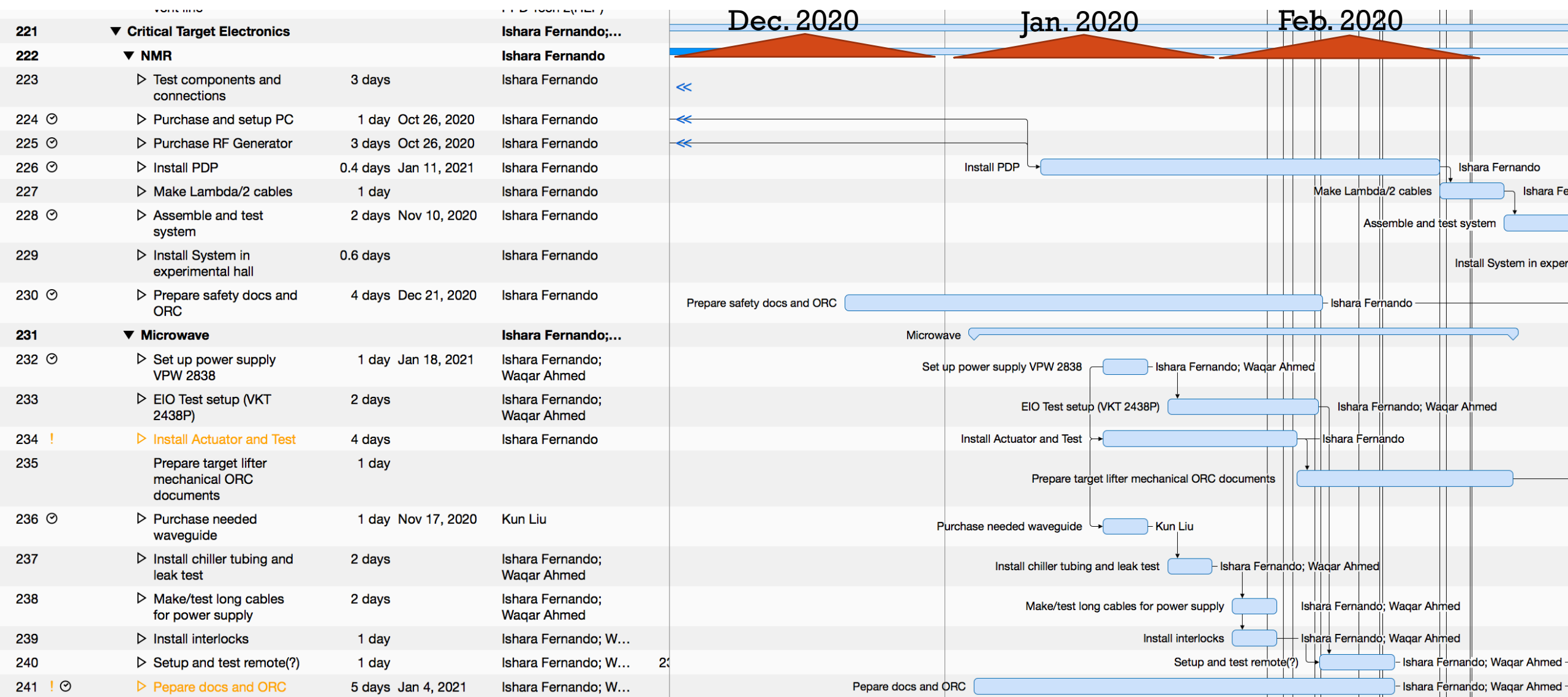


1

UPDATES

- Follow up with the *updates* on Target Electronics ORCs
<https://confluence.its.virginia.edu/display/twist/Target+Electronics+ORCs>
- Updates on Critical Path Items (see next slides)

FOLLOW-UP WITH THE UPCOMING SCHEDULE ITEMS



FOLLOW-UP WITH THE UPCOMING SCHEDULE ITEMS

Dec. 2020

Jan. 2020

Feb. 2020

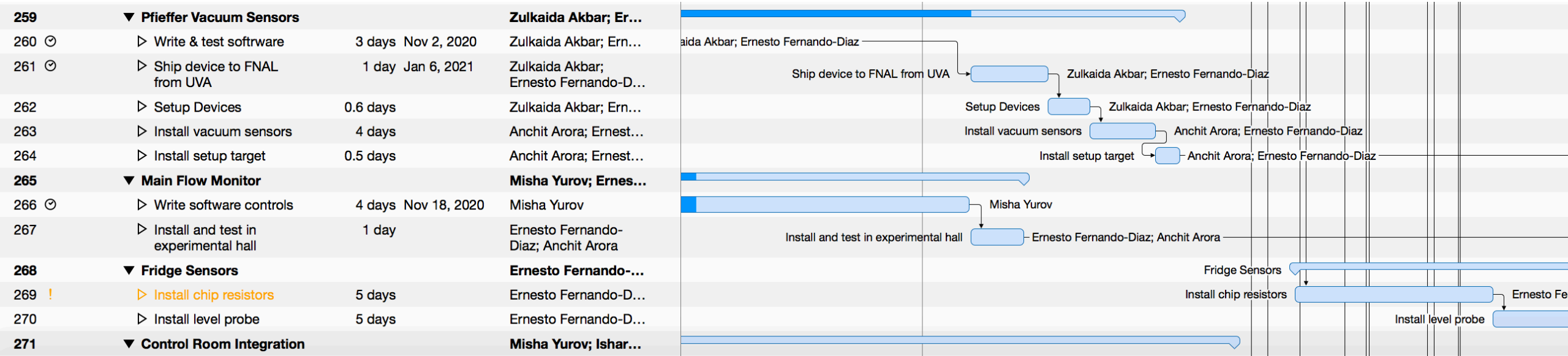
ID	Task	Duration	Start Date	Assignee	Schedule
242	▼ Magnet Power Supply Rack			Zulkaida Akbar	[Bar chart showing task duration from Dec 2020 to Jan 2021]
243 ☺	▷ Test Switch-heater cable	1 day	Nov 20, 2020	Zulkaida Akbar	[Task bar in Nov 2020]
244	▷ Test cable extension to Mercury ITC	1 day		Zulkaida Akbar	[Task bar in Dec 2020]
245 ☺	▷ Check with FNAL re Power Distribution Unit	1 day	Jan 11, 2021	Zulkaida Akbar	[Task bar in Jan 2021]
246 ☺	▷ Check RS232/ethernet cables	2 days	Nov 2, 2020	Zulkaida Akbar	[Task bar in Nov 2020]
247 ☺	▷ Purchase longer cable for MaxiGauge	3 days	Jan 6, 2021	Zulkaida Akbar	[Task bar in Jan 2021]
248 ☺	▷ Purchase Cable Tray, bolt clamps	2 days	Dec 7, 2020	Zulkaida Akbar	[Task bar in Dec 2020]
249 !	▷ Install cable from rack to target cave	1 day		Zulkaida Akbar	[Task bar in Jan 2021]
250 ☺	▷ Prepare safety docs and ORC	10 days	Oct 20, 2020	Zulkaida Akbar	[Task bar in Oct 2020]
251	▼ Helium Vapor Pressure			Zulkaida Akbar; Er...	[Bar chart showing task duration from Dec 2020 to Jan 2021]
252 ☺	▷ Write software	4 days	Oct 28, 2020	Zulkaida Akbar	[Task bar in Oct 2020]
253 ☺	▷ Ship Sensors to FNAL	1 day	Jan 6, 2021	Zulkaida Akbar	[Task bar in Jan 2021]
254	▷ Setup Baratrons	0.5 days		Zulkaida Akbar	[Task bar in Jan 2021]
255	▷ Calibrate and test equipment	3 days		Zulkaida Akbar; Ernesto Fernando-D...	[Task bar in Jan 2021]
256	▼ Separator Flow Control			Misha Yurov; Ernes...	[Bar chart showing task duration from Dec 2020 to Jan 2021]
257 ☺	▷ Write and test software controls	3 days	Nov 8, 2020	Misha Yurov	[Task bar in Nov 2020]
258 ☺	▷ Install and test software in experimental hall	1 day	Dec 14, 2020	Ernesto Fernando-Diaz; Anchit Arora	[Task bar in Dec 2020]

FOLLOW-UP WITH THE UPCOMING SCHEDULE ITEMS

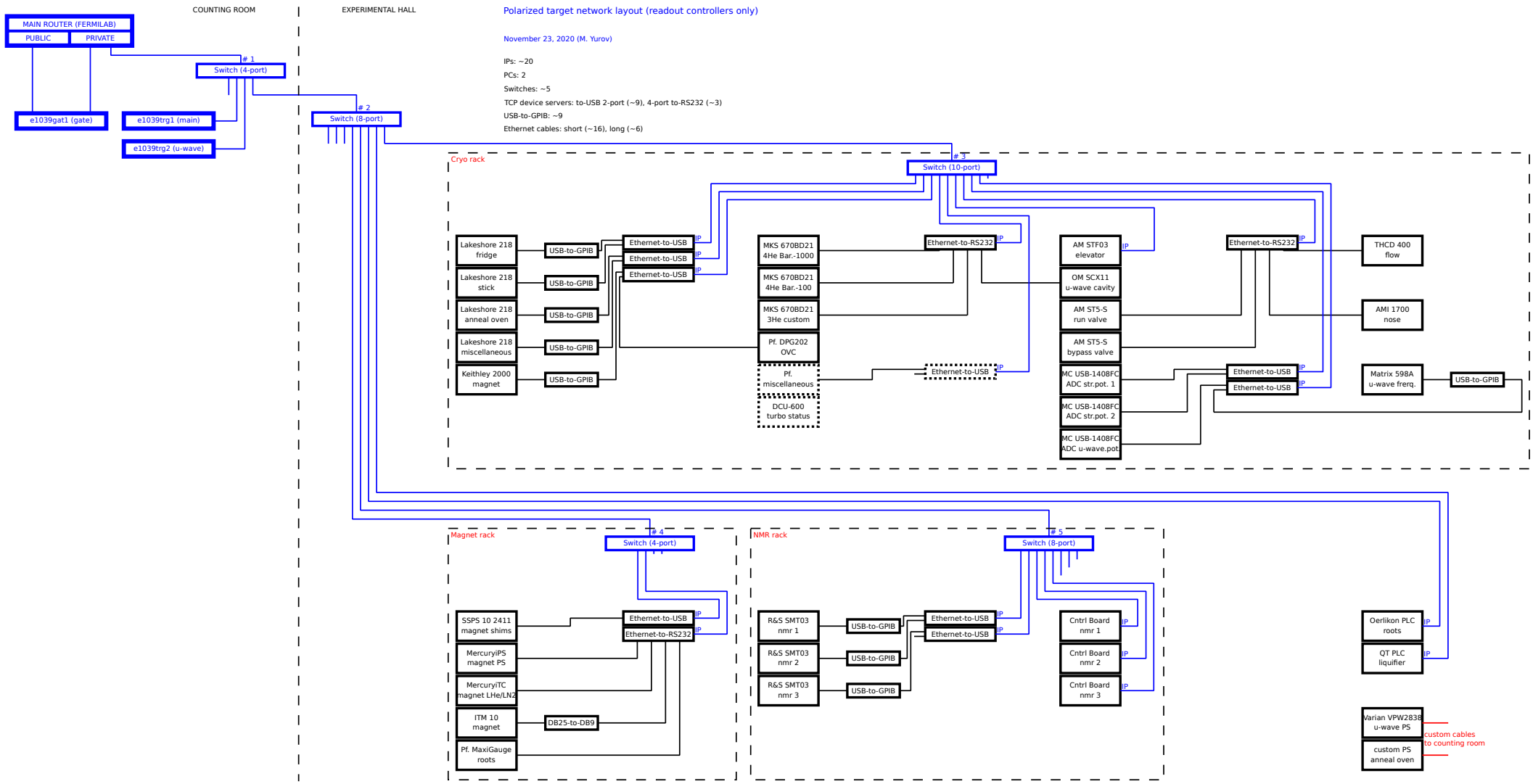
Dec. 2020

Jan. 2020

Feb. 2020



TEST PLAN WITH NEW DESIGN...

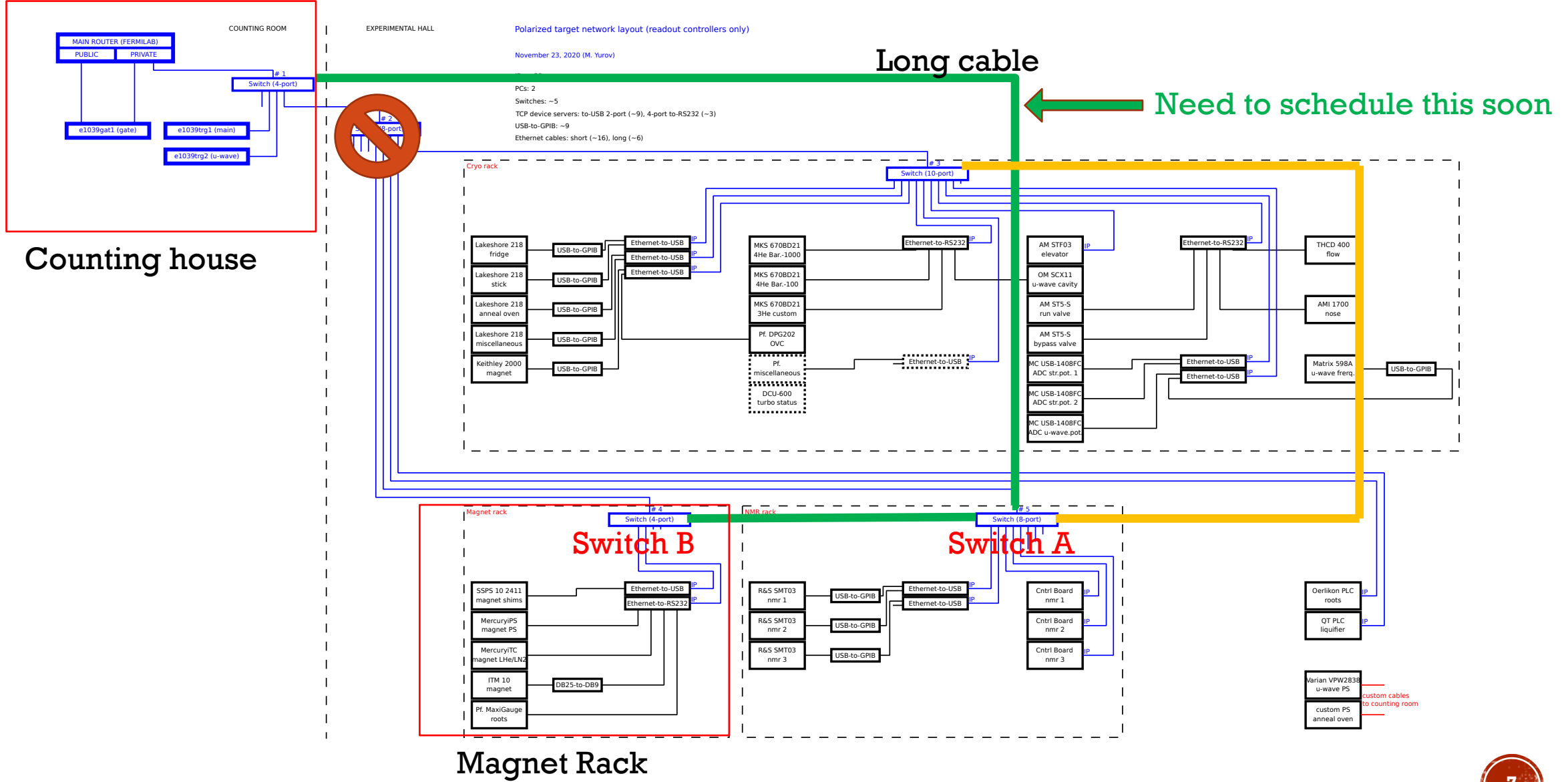


Polarized target network layout (readout controllers only)

November 23, 2020 (M. Yurov)

- IPs: ~20
- PCs: 2
- Switches: ~5
- TCP device servers: to-USB 2-port (~9), 4-port to-RS232 (~3)
- USB-to-GPIB: ~9
- Ethernet cables: short (~16), long (~6)

TEST PLAN WITH NEW DESIGN...



SLOW CONTROLS CRITICAL PATH ITEMS

	Item	Start date	Completion	Responsibility in the Schedule	Schedule Item #
1	Helium Vapor	10/29/20	12/03/20 (Completed)	Zulkaida	251
2	Pfeiffer Vacuum	11/02/20	12/02/20 (Completed)	Zulkaida	259
3	Separator+Mag MFC	11/09/20	01/22/21 (40% completed)	Harsha	256
4	Main MFM	11/18/20	01/05/20 (40% completed)	Harsha	265
5	Fridge Valves	10/15/20		Harsha	
6	Fridge Sensors	01/15/21	01/31/21	Ernesto, Waqar	268
7	Actuator	04/15/20	02/15/21	Vibodha	234
8	NMR+Integration	04/15/20		Misha	
9	In Hall Monitoring	11/15/20		Ishara	
10	Keithly+Mag.Sens.	06/15/20		Efrain	