

6

5

4

3

2

1

REVISION RECORD			
LTR	ECO NO:	APPROVED:	DATE:

D

D

C

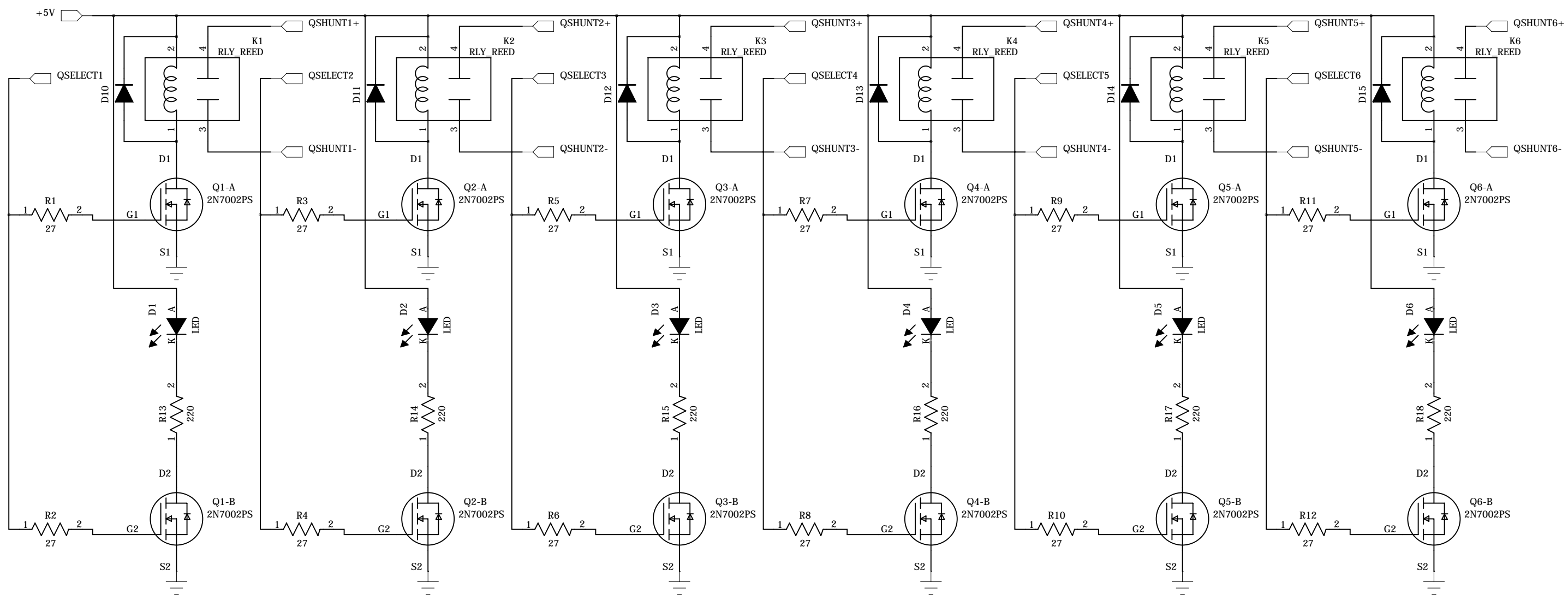
C

B

B

A

A



COMPANY:				Polarized Target Lab			
TITLE:				NMR DIO Box			
DRAWN:		DATED:		CODE:		DRAWING NO:	
Josh Shields		2/2/4/2013		B		1	
CHECKED:		DATED:		SIZE:		REV:	
						1	
QUALITY CONTROL:		DATED:		SCALE:			
				SHEET: 1 of 3			
RELEASED:		DATED:					

6

5

4

3

2

1

REVISION RECORD			
LTR	ECO NO:	APPROVED:	DATE:

D

D

C

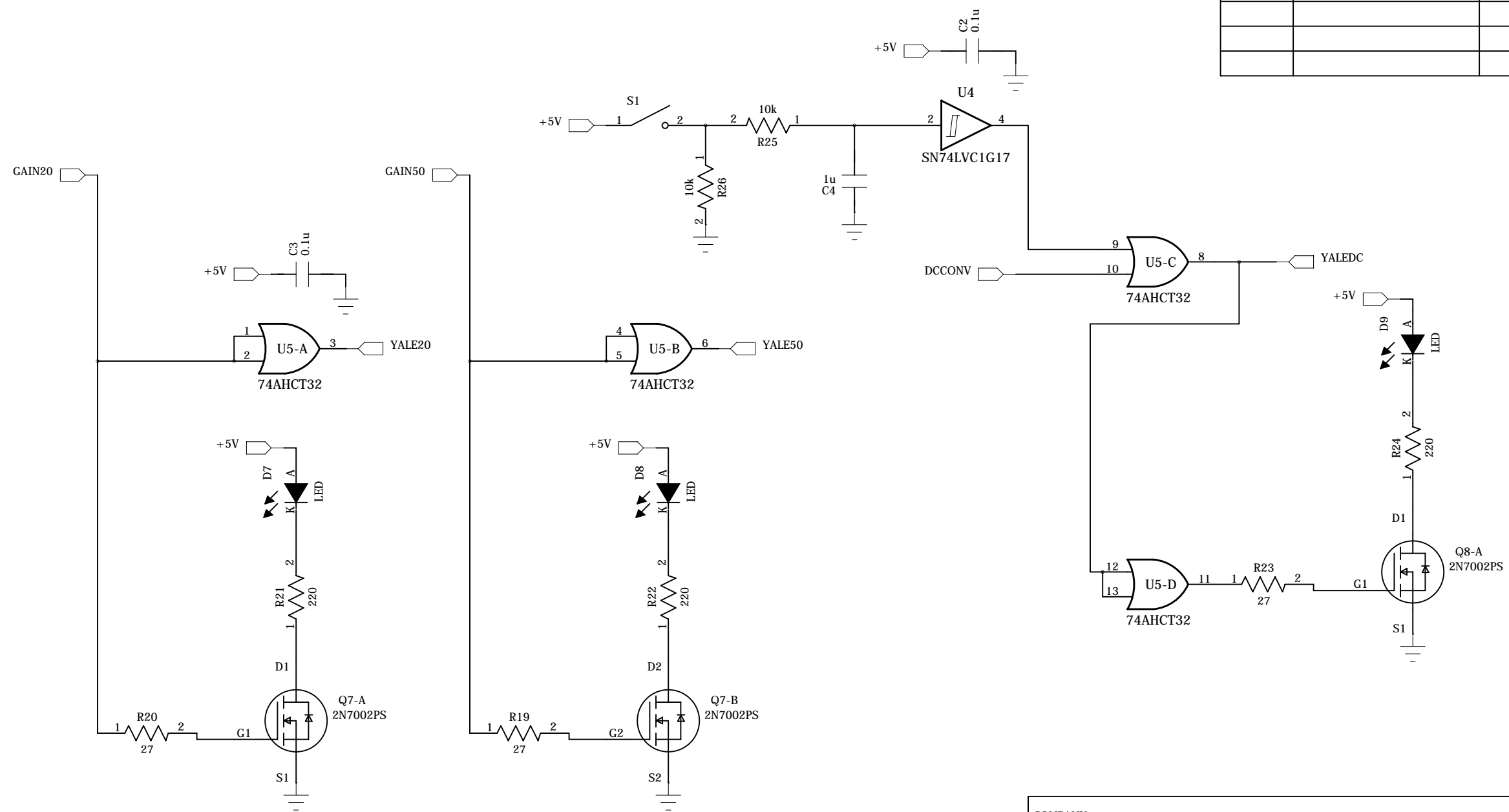
C

B

B

A

A



COMPANY: **Polarized Target Lab**

TITLE: **NMR DIO Box**

DRAWN: Josh Shields	DATED: 2/2/4/2013
CHECKED:	DATED:
QUALITY CONTROL:	DATED:
RELEASED:	DATED:

CODE:	SIZE: B	DRAWING NO: 1	REV: 1
SCALE:			SHEET: 2 OF 3

6

5

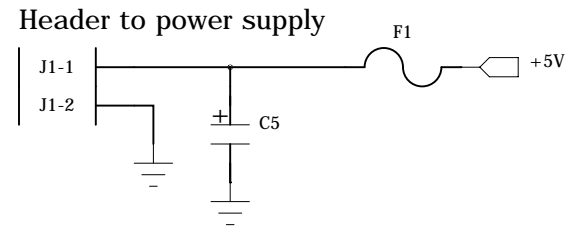
4

3

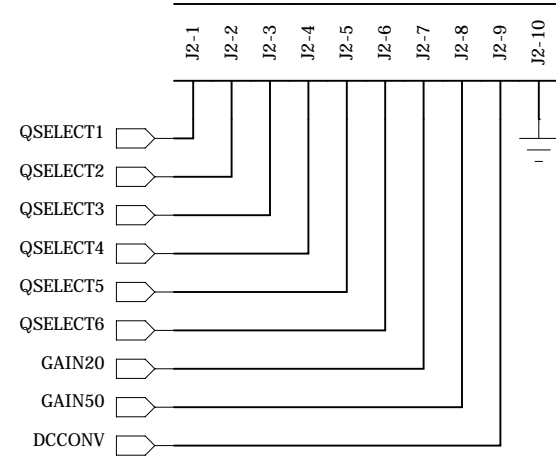
2

1

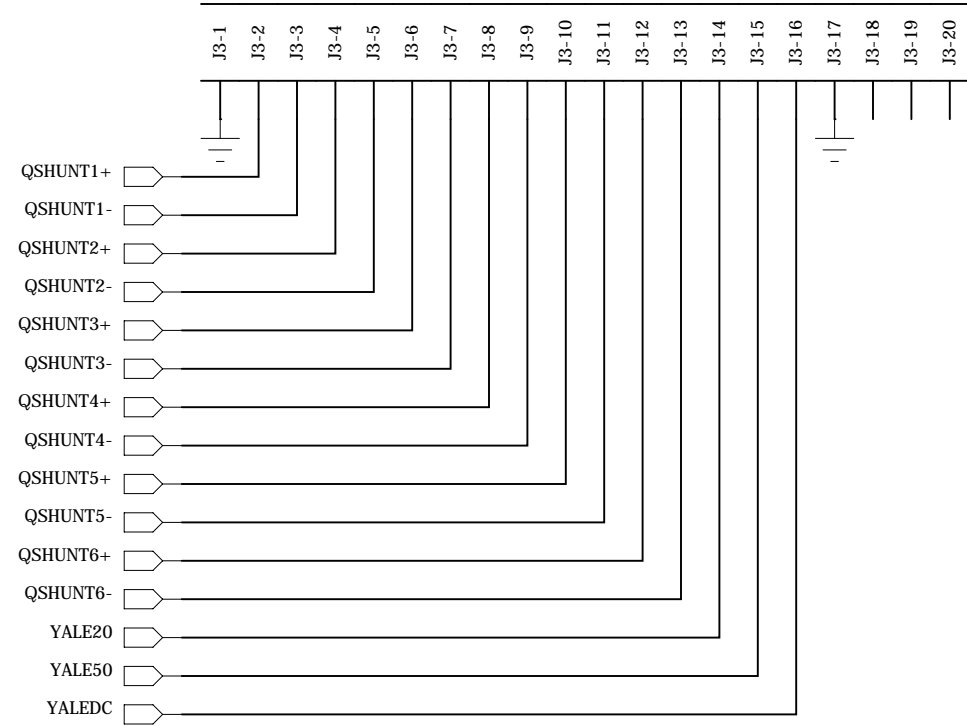
REVISION RECORD			
LTR	ECO NO:	APPROVED:	DATE:



Header to Amphenol for DIO lines



Header to DB-25 for Yale cards and Q meters



COMPANY: Polarized Target Lab

TITLE: NMR DIO Box

DRAWN: Josh Shields	DATED: 2/2/4/2013
CHECKED:	DATED:
QUALITY CONTROL:	DATED:
RELEASED:	DATED:

CODE:	SIZE: B	DRAWING NO: 1	REV: 1
SCALE:		SHEET: 3 of 3	

D

D

C

C

B

B

A

A