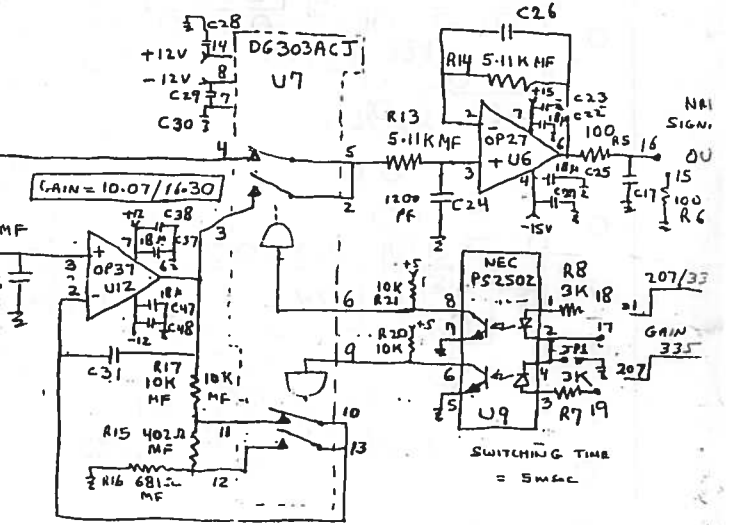


NOTE
 • 1K ON ALL POWER PINS
 ALL RESISTORS 1/4W UNLESS MARKED OTHERWISE

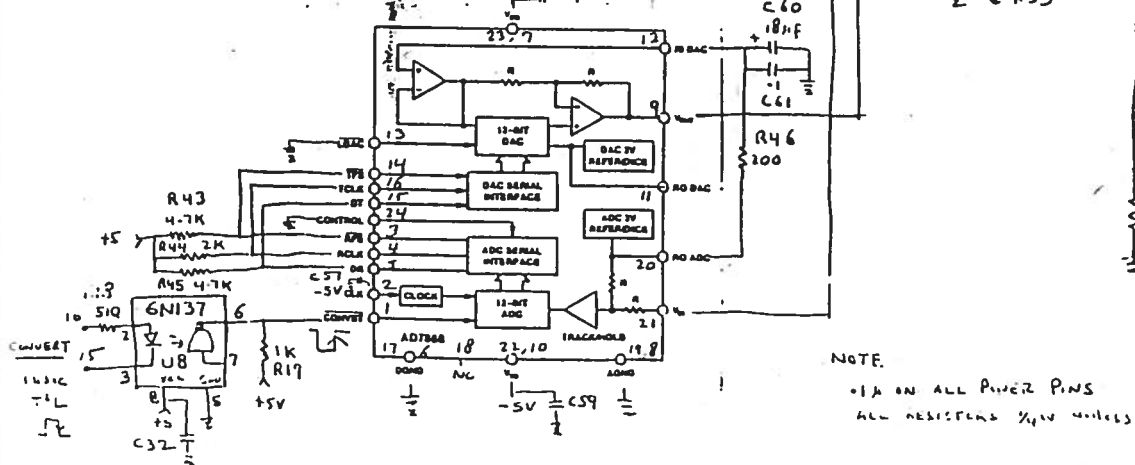
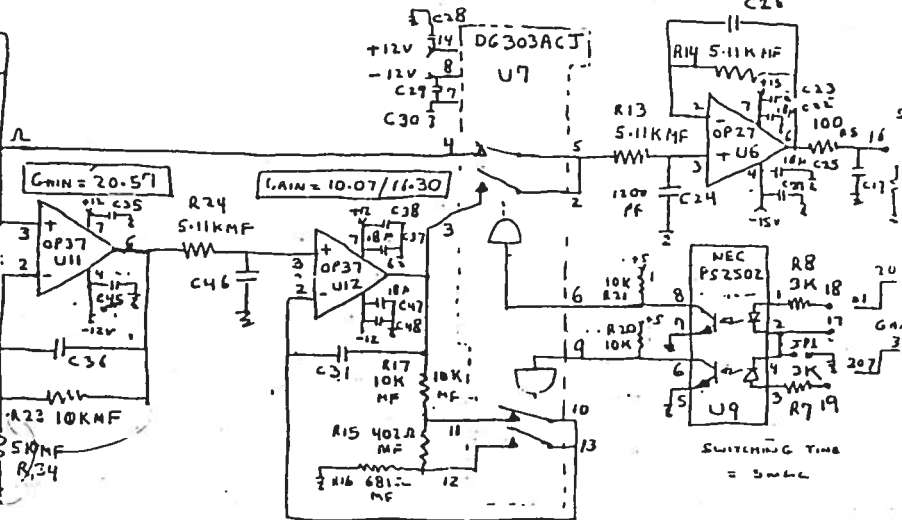
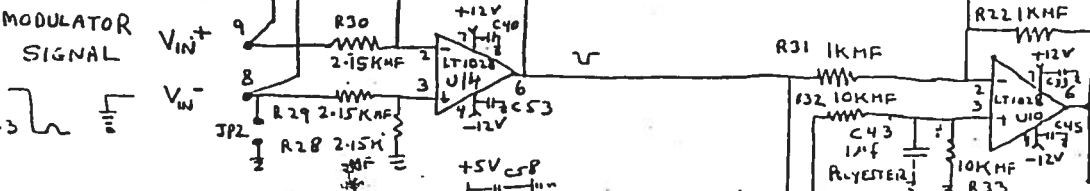
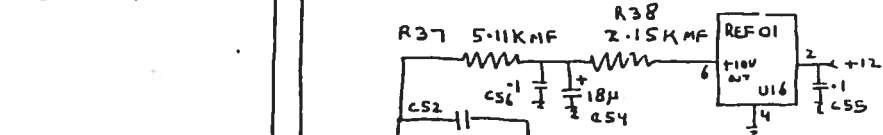
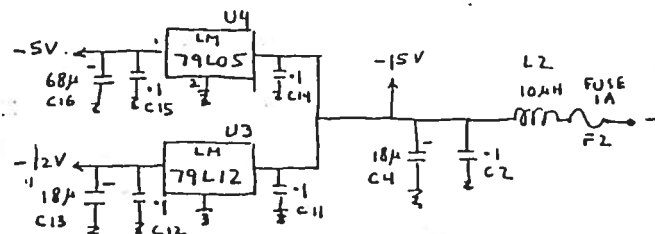
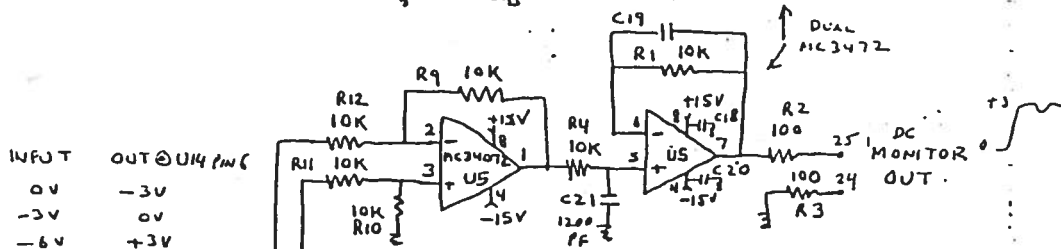
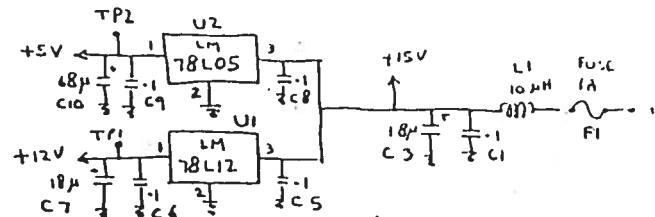
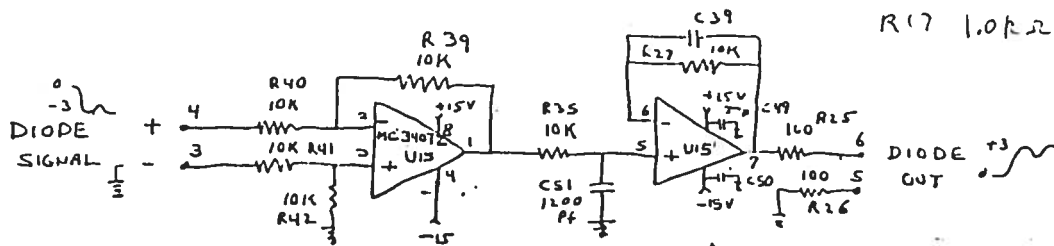


DATE		YALE UNIVERSITY	
10/10/90		TITLE	
2/7/91		PNMR OFFSPRT CARD	
PREPARED		GAIN 33.3	
CHECKED		GROUP	DRAWING NO.
		EPI-SMC	Model 2128

Note following modification

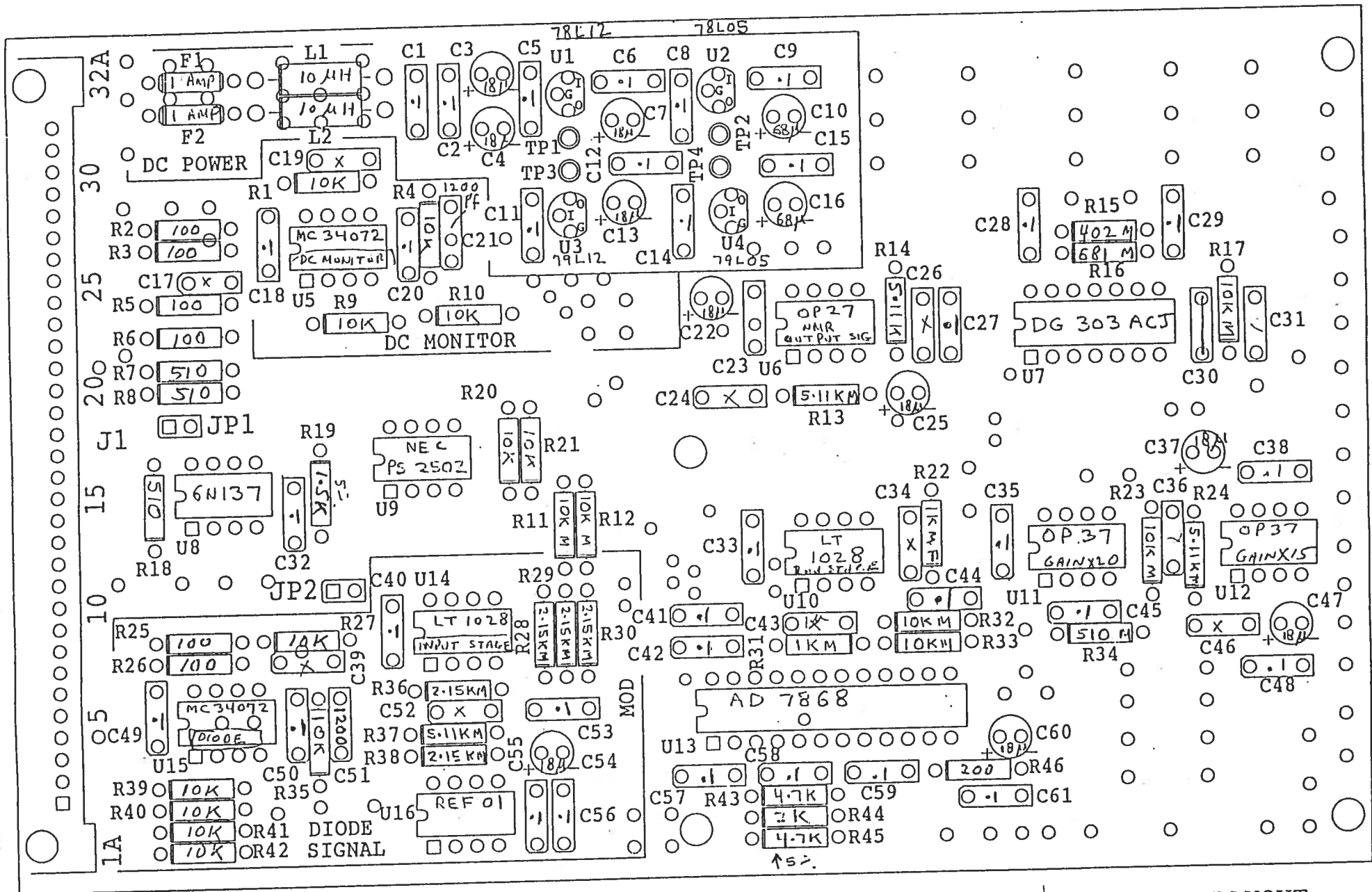
R34 750.Ω TO give gain of 1,20,50
 R23 5.11KΩ
 R15 3.01KΩ
 R17 1.0KΩ

Told Ansett 8-31-93



NOTE:
 1A ON ALL POWER PINS
 ALL RESISTORS 1/4W UNLESS MARKED OTHERWISE

DATE	YALE UNIVERSIT	
10/10/90	TITLE	
2/7/91	PNM OFFSET CARD	
PREPARED	DRAWING NO	
CHECKED	GROUP	DATE
	UPI-SHC	Nov 1 2128



ALL R 1/4W EXCEPT THOSE MARKED S

SILK SCREEN TOP ONLY

PARTS LAYOUT
PNMR OFFSET CARD
Model 2128

C30 JUMP TO GND.
X COMPENSATION CAPS

YALE UNIVERSITY