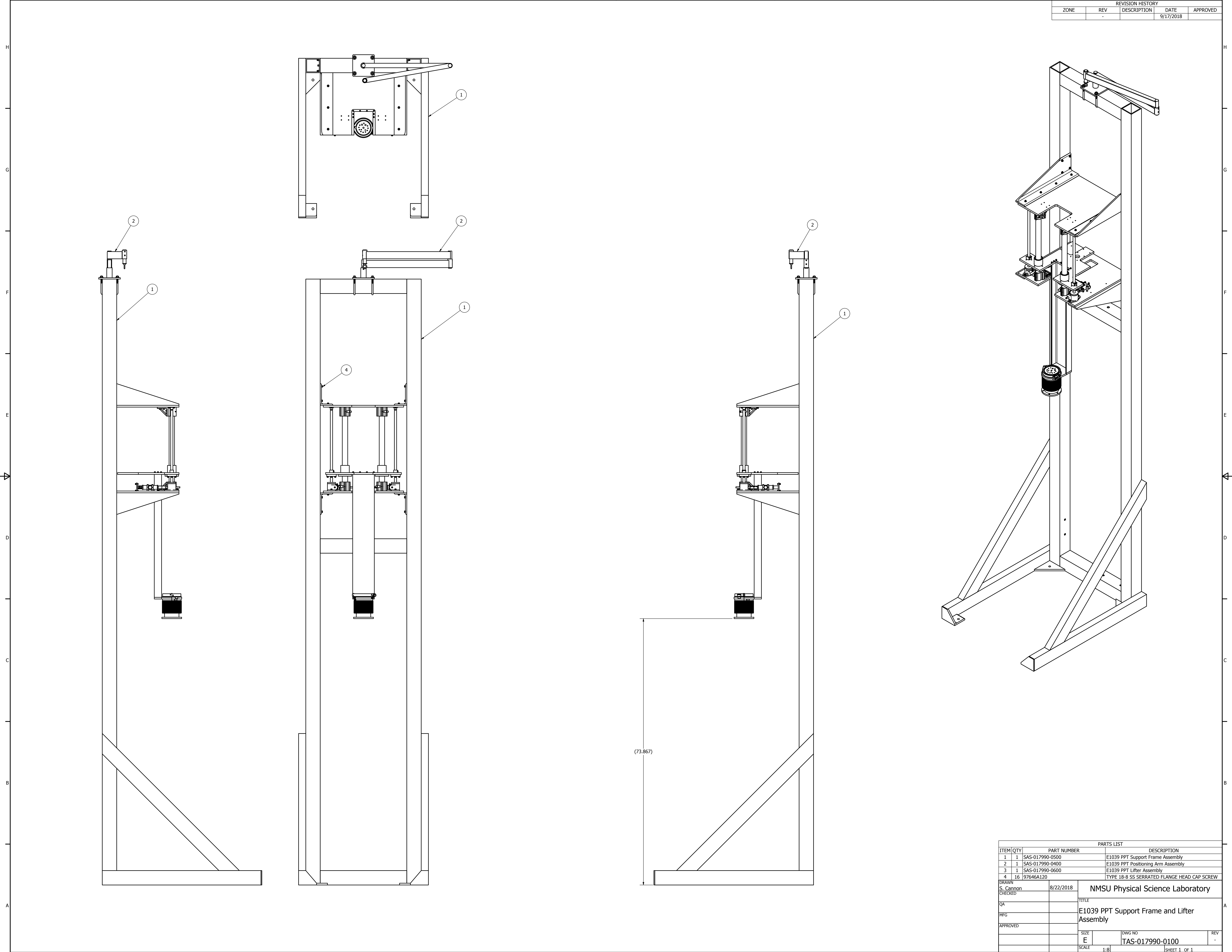


REVISION HISTORY			
ZONE	REV	DESCRIPTION	DATE
	-		9/17/2018



PARTS LIST			
ITEM	QTY	PART NUMBER	DESCRIPTION
1	1	SAS-017990-0500	E1039 PPT Support Frame Assembly
2	1	SAS-017990-0400	E1039 PPT Positioning Arm Assembly
3	1	SAS-017990-0600	E1039 PPT Lifter Assembly
4	16	97646A120	TYPE 18-8 SS SERRATED FLANGE HEAD CAP SCREW

DRAWN S. Cannon	8/22/2018	NMSU Physical Science Laboratory	
CHECKED		TITLE	
QA		E1039 PPT Support Frame and Lifter Assembly	
APPROVED		SIZE	DWG NO
		E	TAS-017990-0100
		SCALE	1:8
			SHEET 1 OF 1