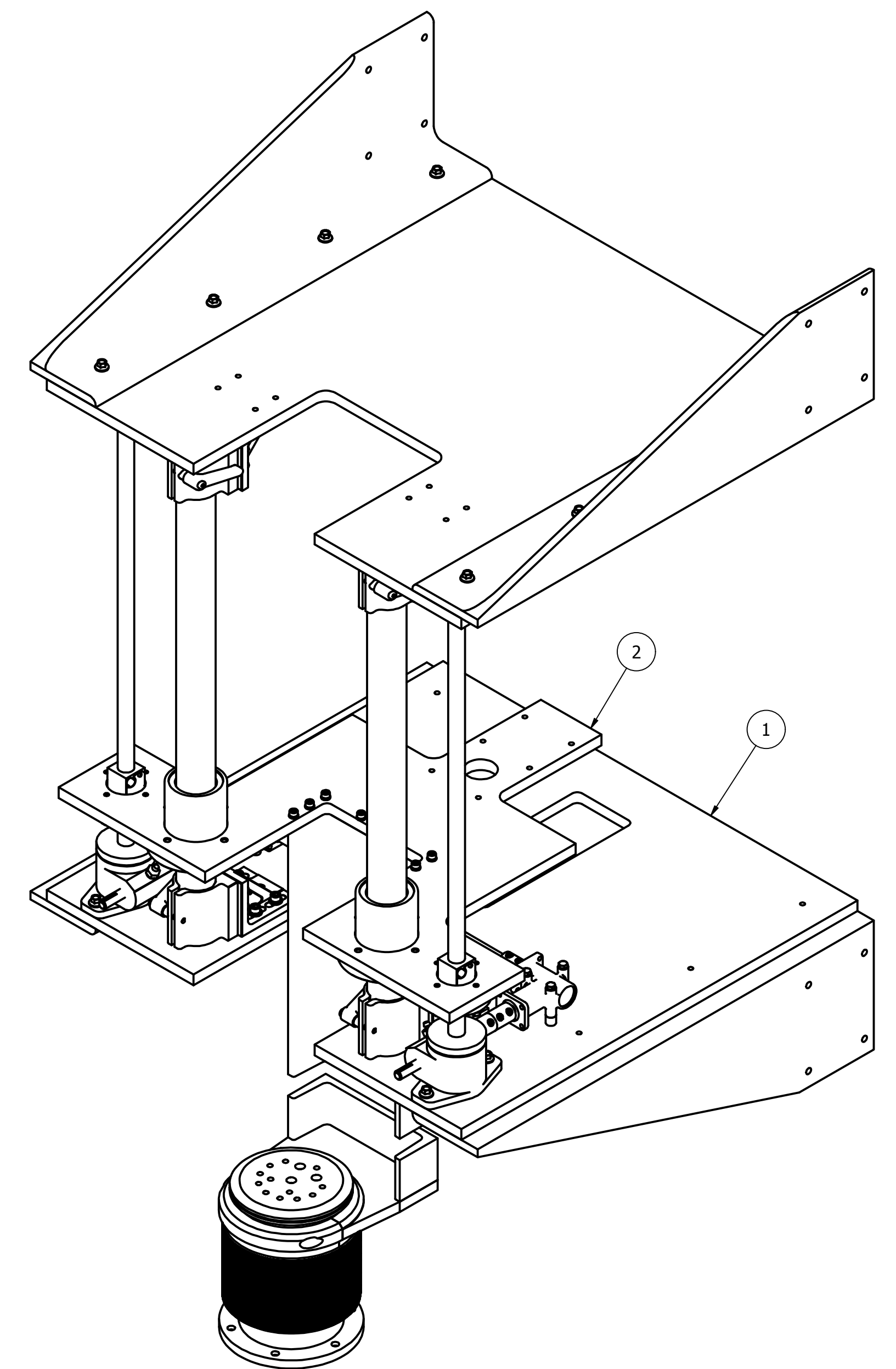
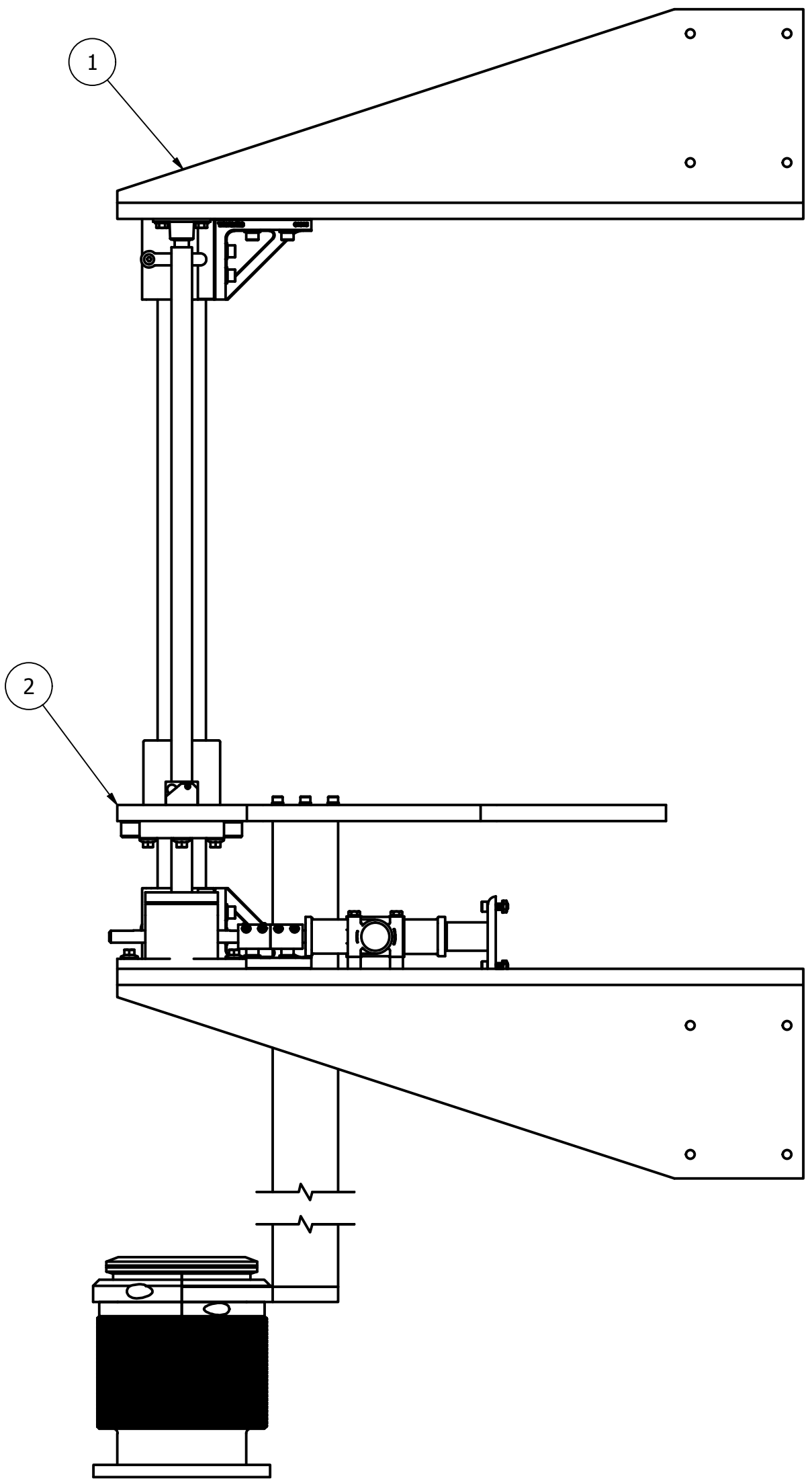
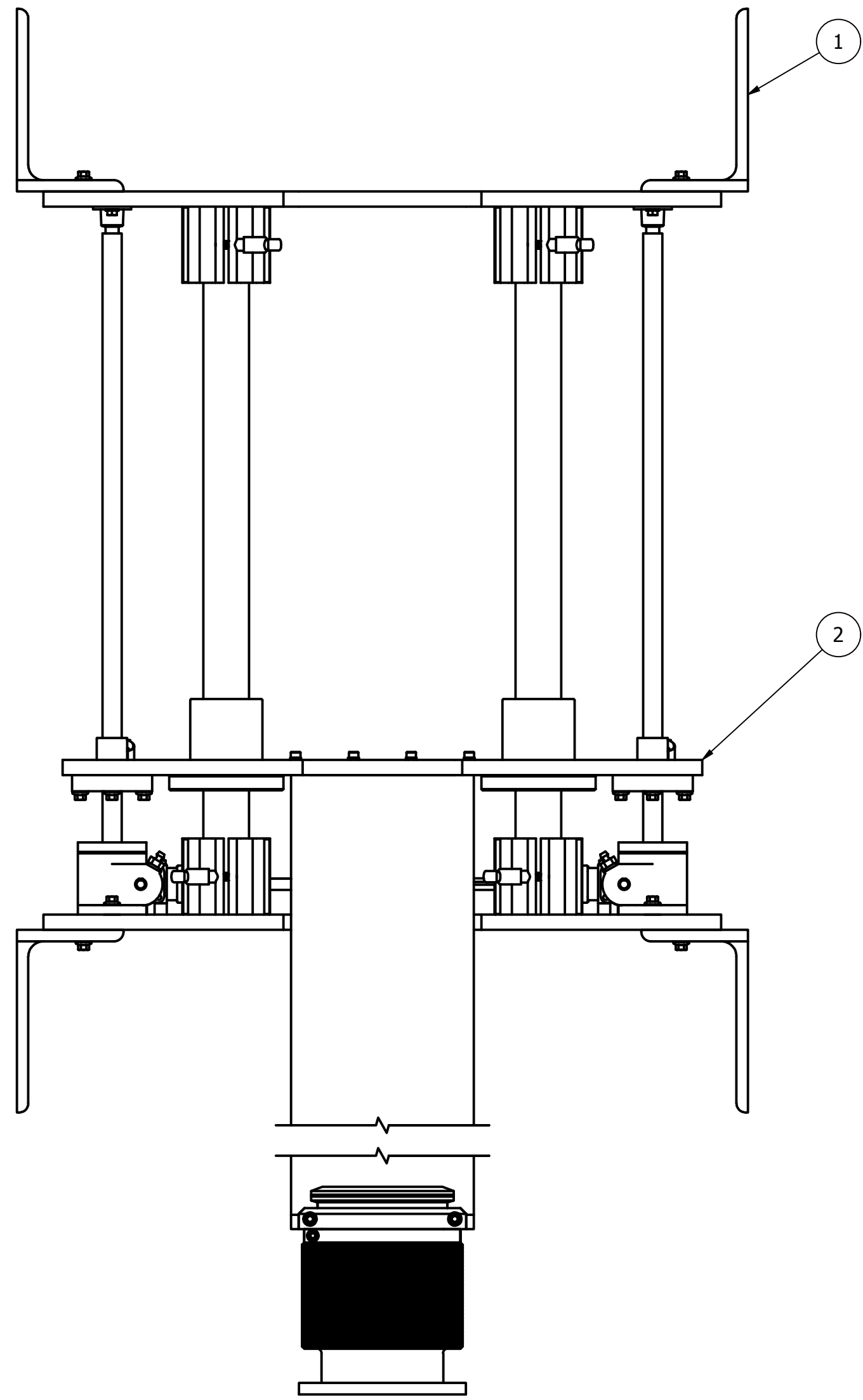
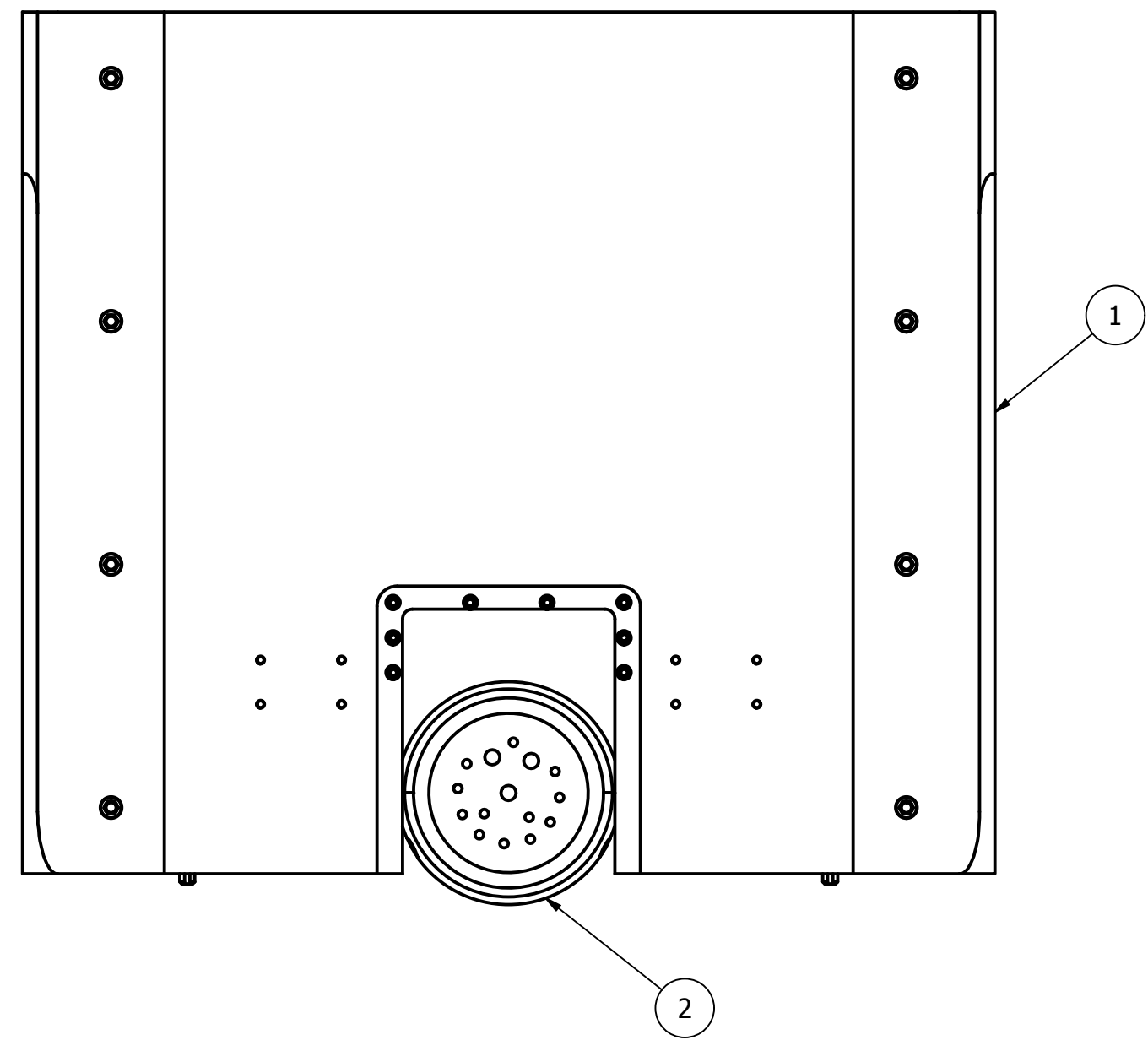


REVISION HISTORY				
ZONE	REV	DESCRIPTION	DATE	APPROVED
	-		9/28/2018	



PARTS LIST				
ITEM	QTY	PART NUMBER	DESCRIPTION	
1	1	SAS-017990-0700	E1039 PPT Lifter Support Assembly	
2	1	SAS-017990-0800	E1039 PPT Lifting Plate Assembly	

DRAWN	S. Cannon	9/28/2018	NMSU Physical Science Laboratory	
CHECKED			TITLE	
QA			E1039 PPT Lifter Assembly	
MFG			SIZE	
APPROVED			D	DWG NO
			SCALE	SAS-017990-0600
			1 / 4	REV -
				SHEET 1 OF 1