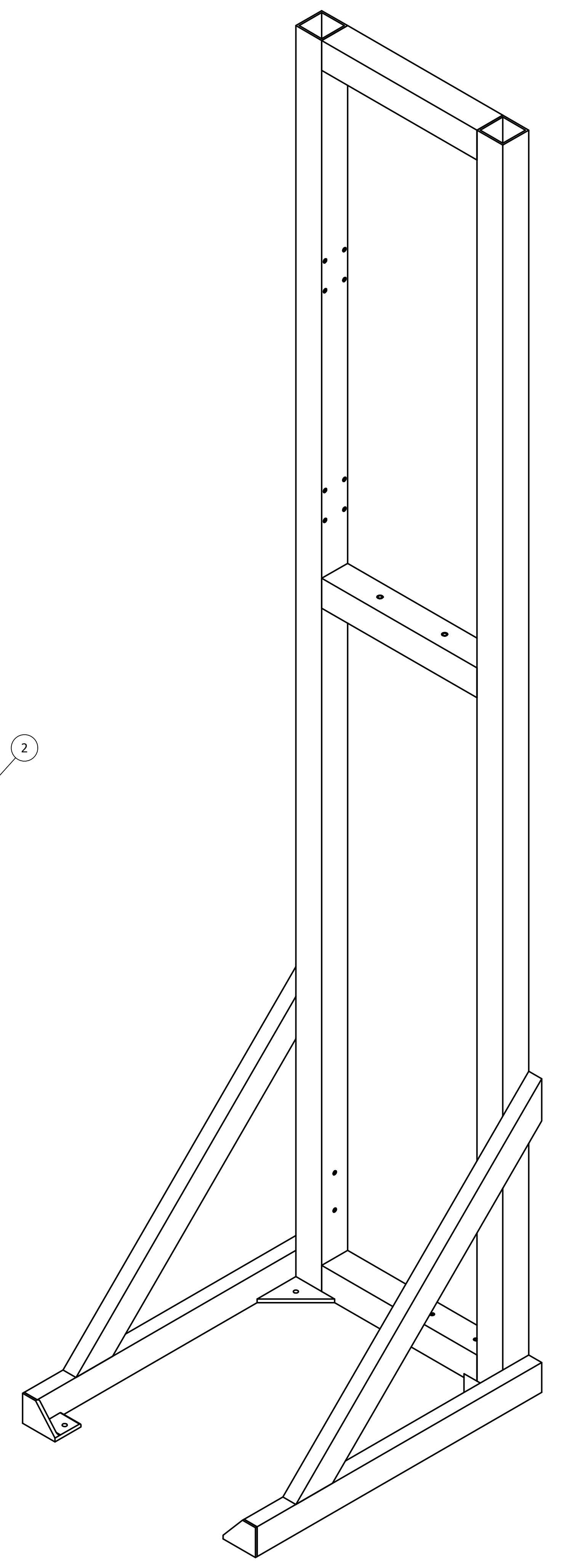
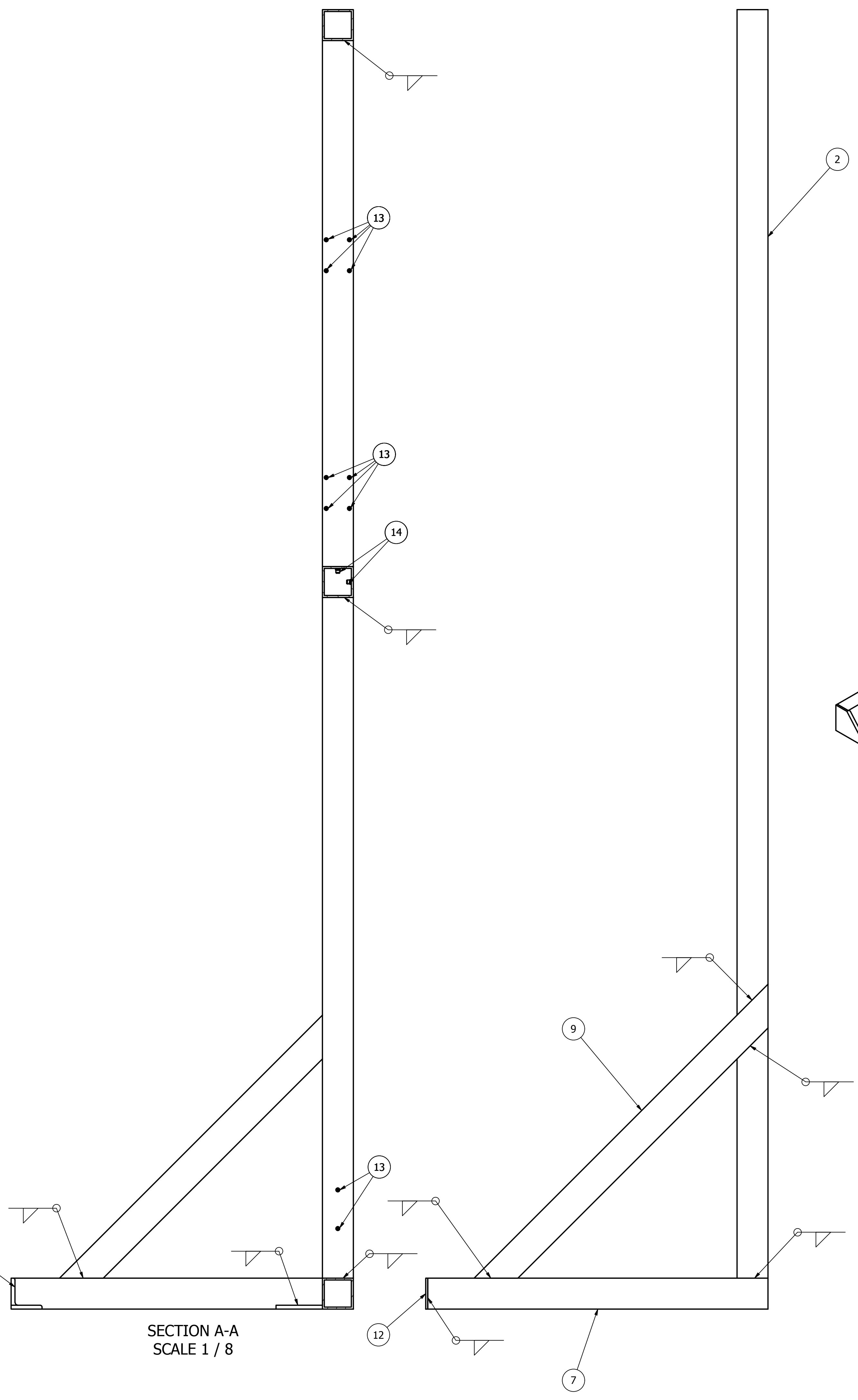
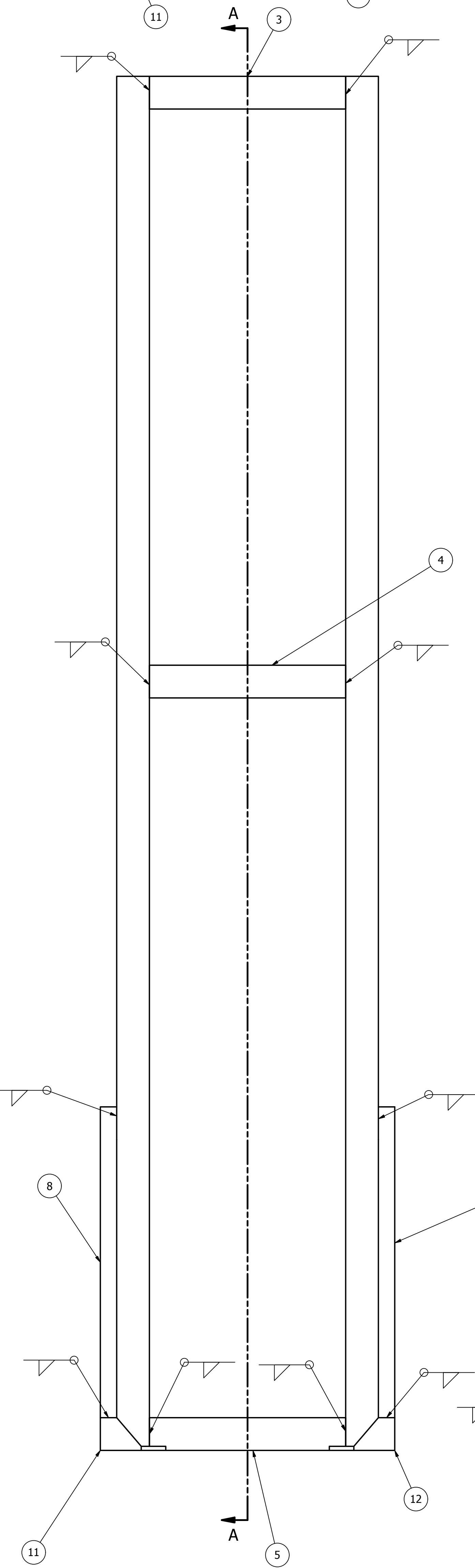
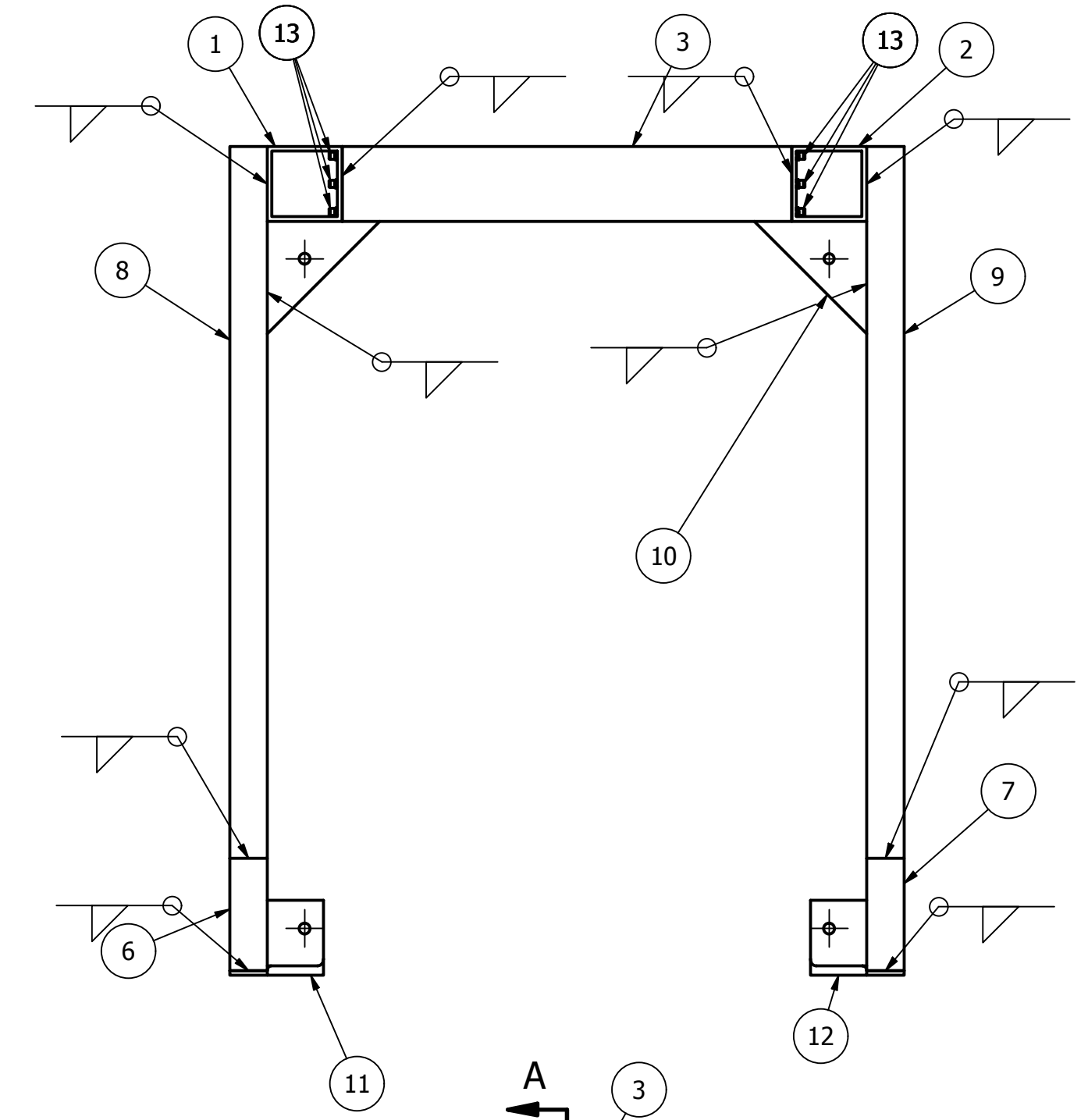


REVISION HISTORY				
ZONE	REV	DESCRIPTION	DATE	APPROVED
			8/22/2018	



SECTION A-A
SCALE 1 / 8

PARTS LIST		
ITEM	QTY	DESCRIPTION
1	1	MDT-017990-0500-01 E1039 PPT Support Upright - Left
2	1	MDT-017990-0500-01 E1039 PPT Support Upright - Right
3	1	MDT-017990-0500-02 E1039 PPT Support Upper Crossmember Detail
4	1	MDT-017990-0500-03 E1039 PPT Support Mid Crossmember Detail
5	1	MDT-017990-0500-04 E1039 PPT Support Lower Crossmember Detail
6	1	MDT-017990-0500-06 E1039 PPT Support Base Leg - Left
7	1	MDT-017990-0500-06 E1039 PPT Support Base Leg - Right
8	1	MDT-017990-0500-05 E1039 PPT Support Diagonal - Left
9	1	MDT-017990-0500-05 E1039 PPT Support Diagonal - Right
10	2	MDT-017990-0500-07 E1039 PPT Support Corner Bracket
11	1	MDT-017990-0500-08-01 E1039 PPT Support Base Cap
12	1	MDT-017990-0500-08-02 E1039 PPT Support Base Cap (mirror)
13	22	AEHS8-420-260 Penn Engineering Half-Hex Shank Low-Profile Head Threaded Insert - Open End - Unified, 1/4-20
14	4	AEHS8-616-312 Penn Engineering Half-Hex Shank Low-Profile Head Threaded Insert - Open End - Unified, 3/8-16

DRAWN S. Cannon	8/22/2018	NMSU Physical Science Laboratory	
CHECKED		TITLE	
QA		E1039 PPT Support Frame Assembly	
APPROVED		SIZE E	DWG NO SAS-017990-0100
		SCALE 1 / 8	REV -
			SHEET 1 OF 1