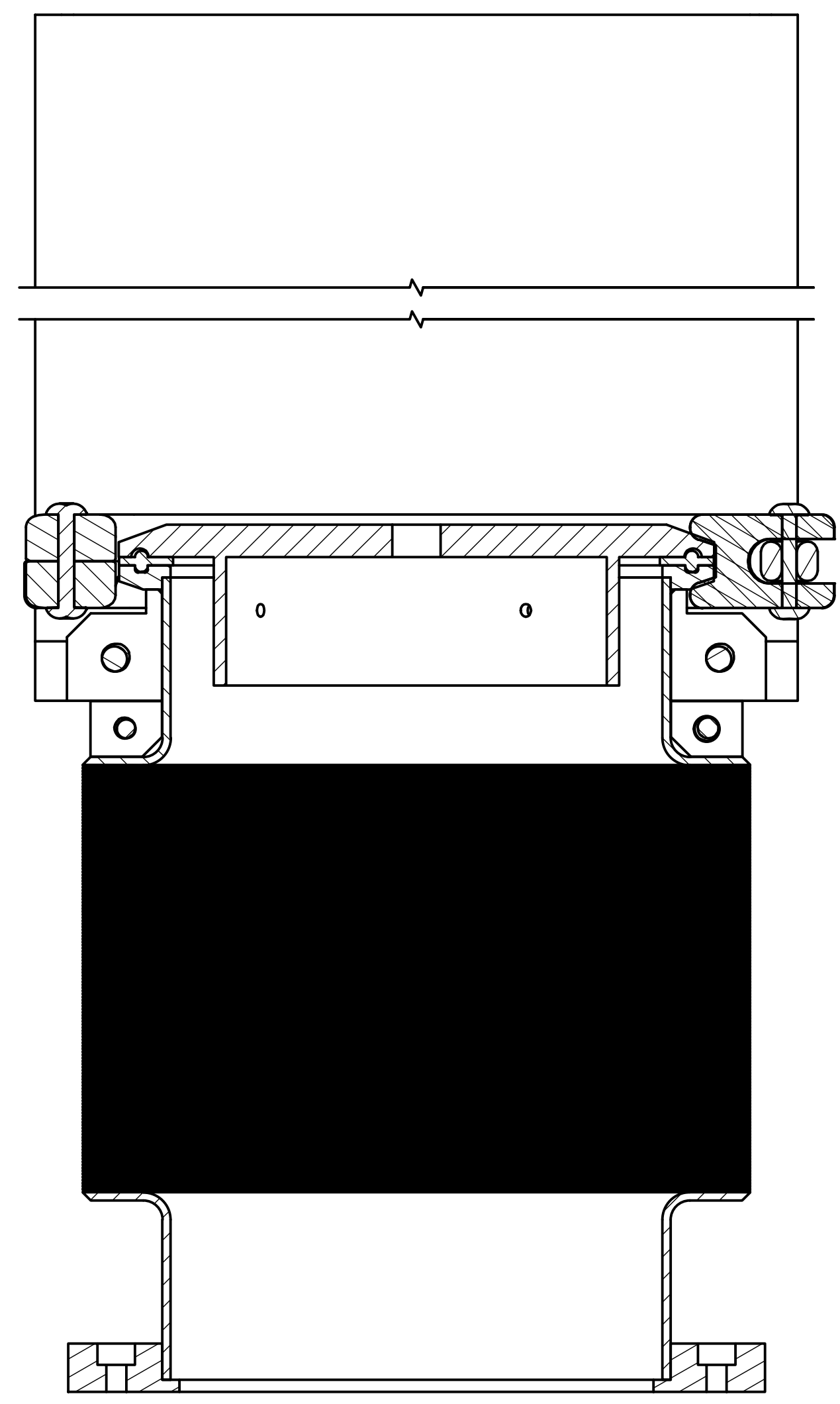
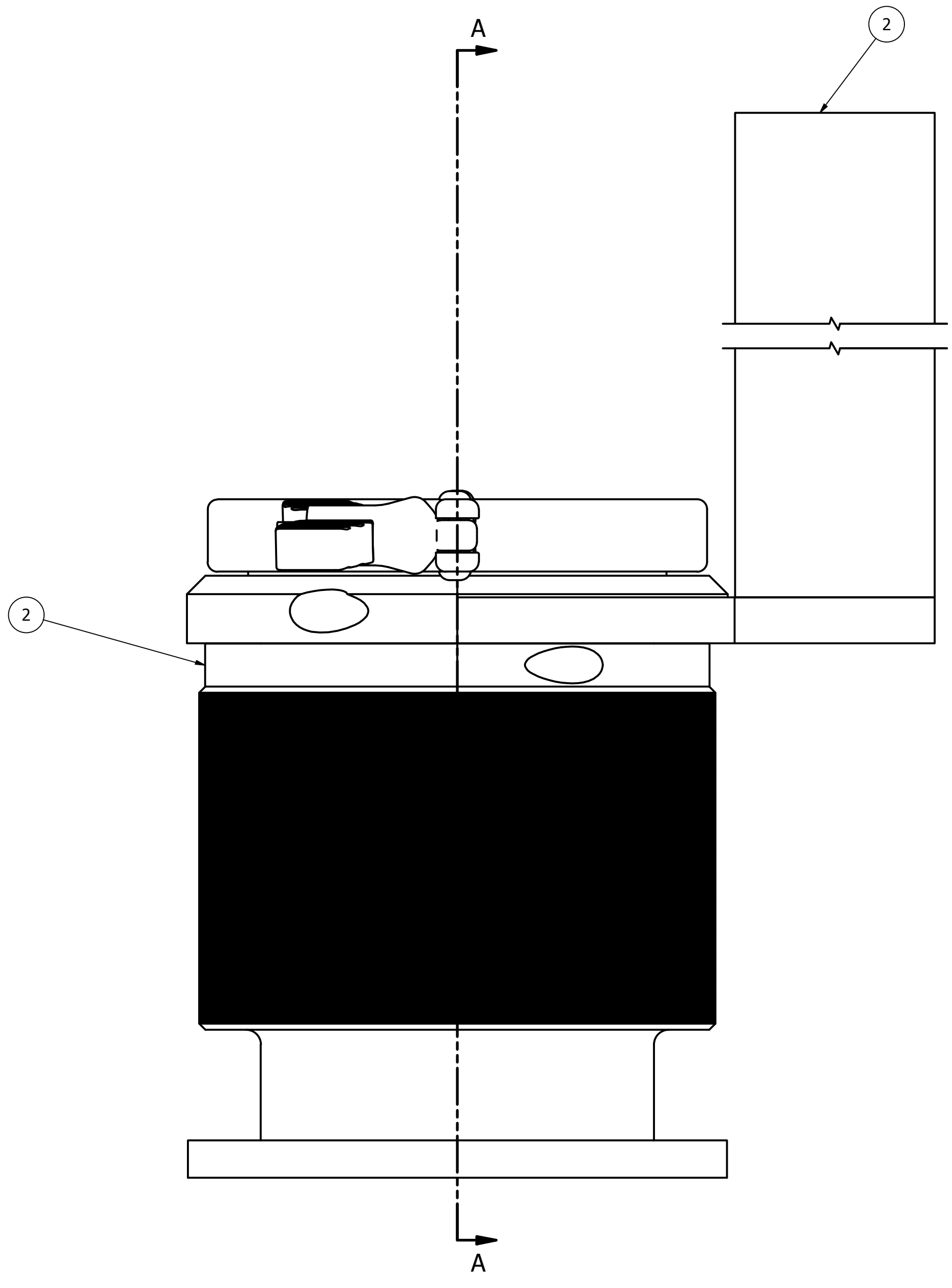
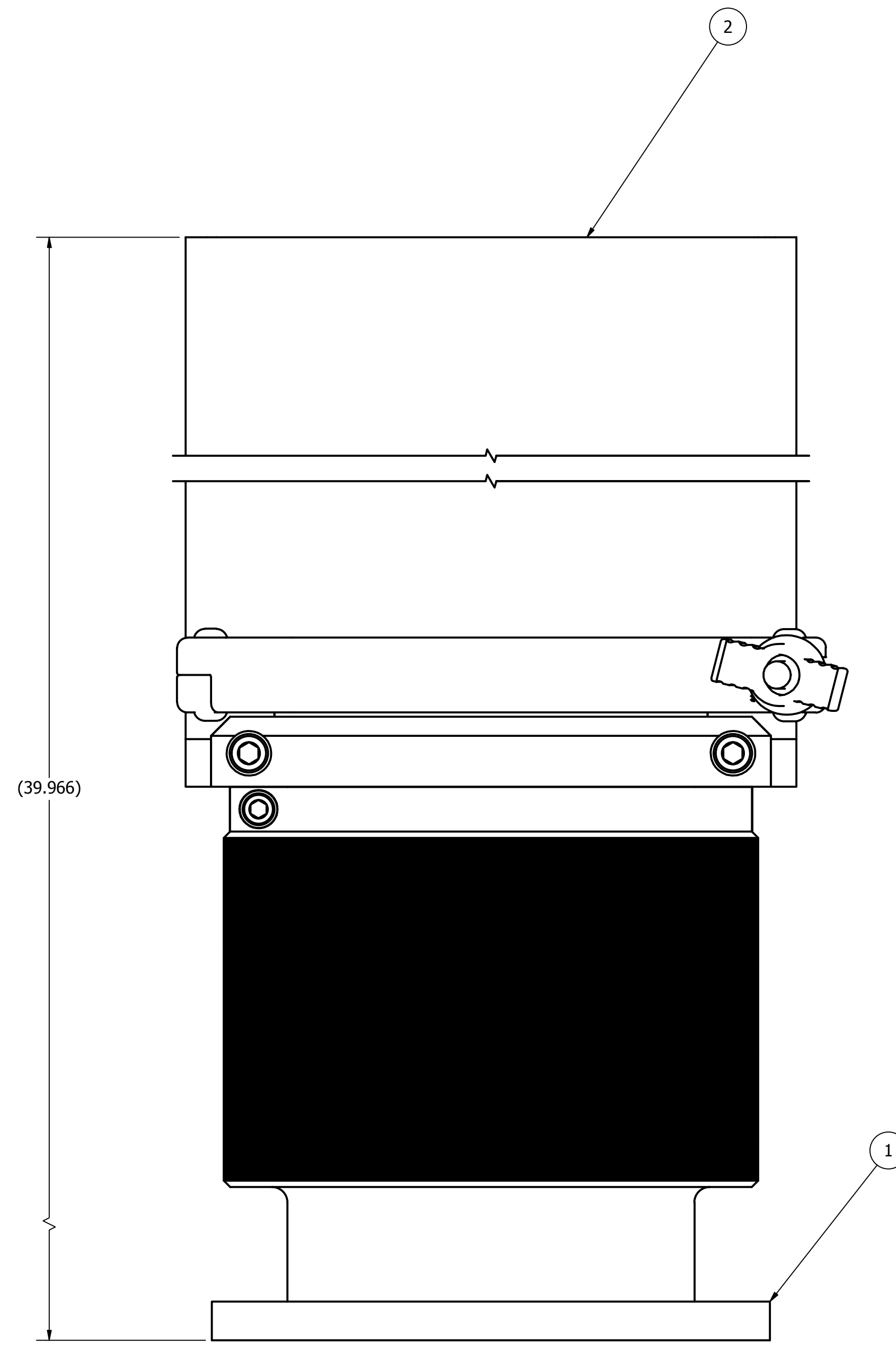
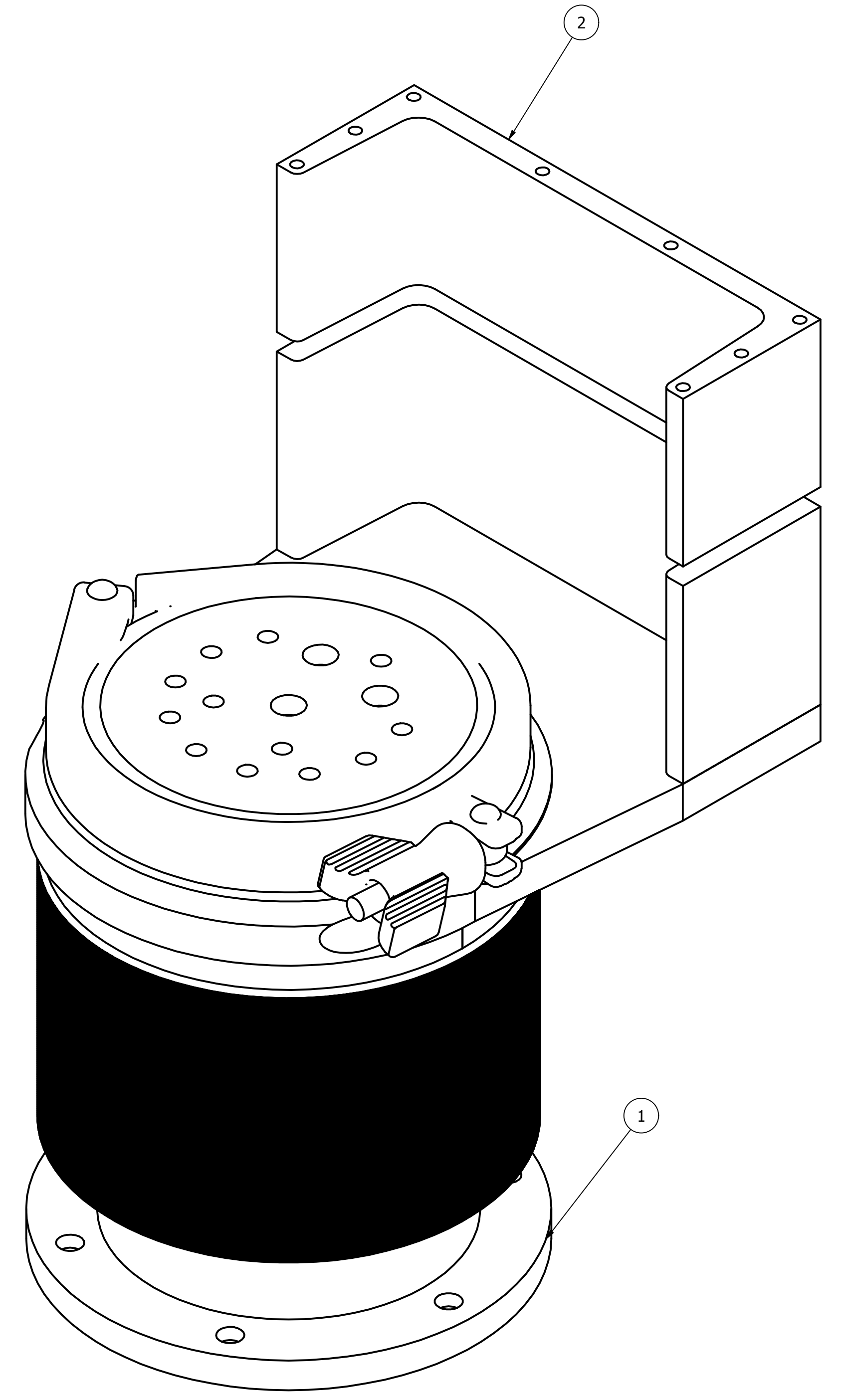
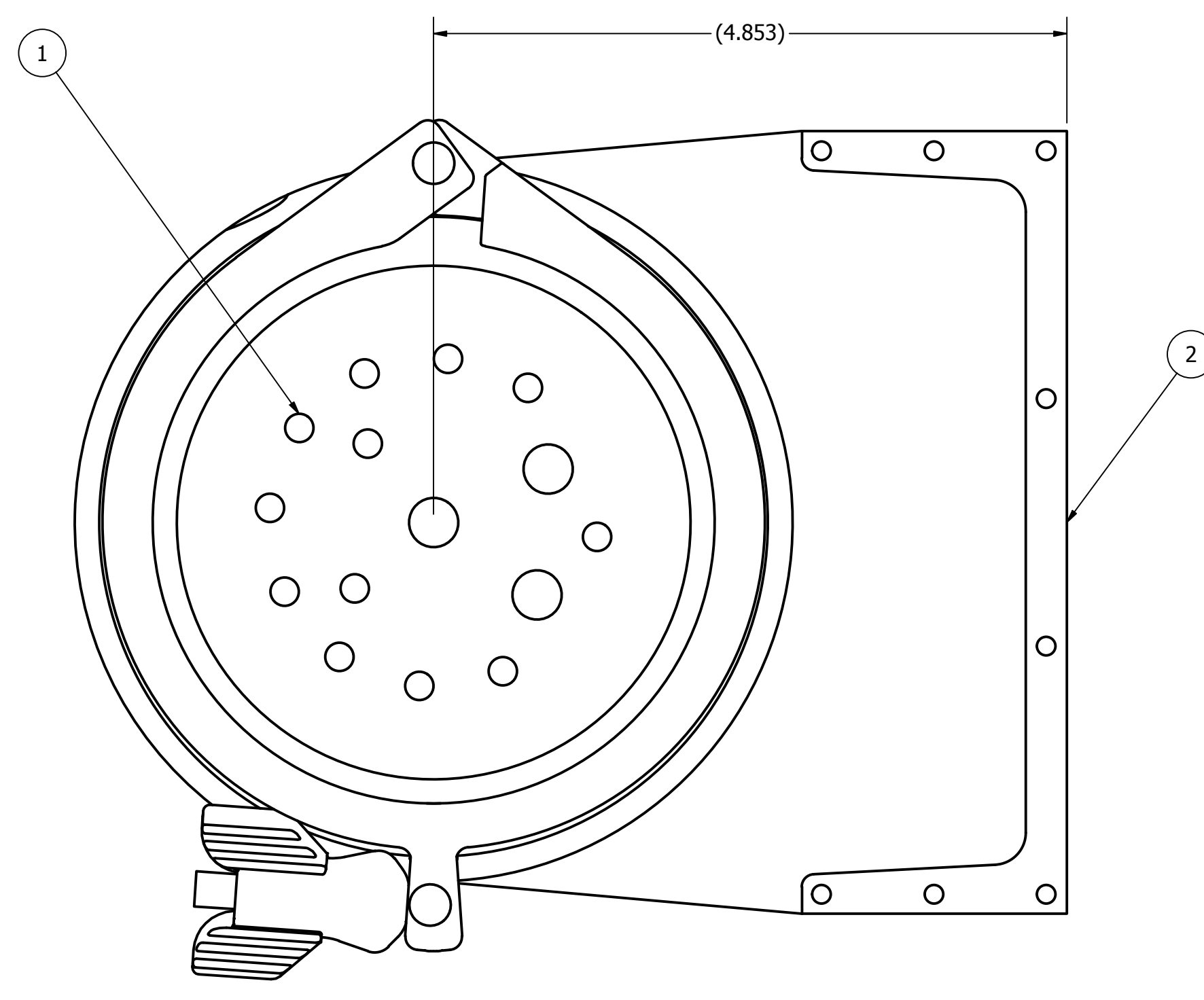


REVISION HISTORY				
ZONE	REV	DESCRIPTION	DATE	APPROVED
	-		9/17/2018	



SECTION A-A
SCALE 1 : 1

PARTS LIST			
ITEM	QTY	PART NUMBER	DESCRIPTION
1	1	SAS-017990-0300	E1039 PPT Bellows Assembly
2	1	SAS-017990-0200	E1039 PPT Lifting Bar Assembly

DRAWN S. Cannon	9/17/2018	NMSU Physical Science Laboratory	
CHECKED		TITLE	
QA		Bellows and Lifting Bar Assembly	
RFG			
APPROVED		SIZE E	DWG NO SAS-017990-0100
		SCALE 1 : 1	REV -
			SHEET 1 OF 1