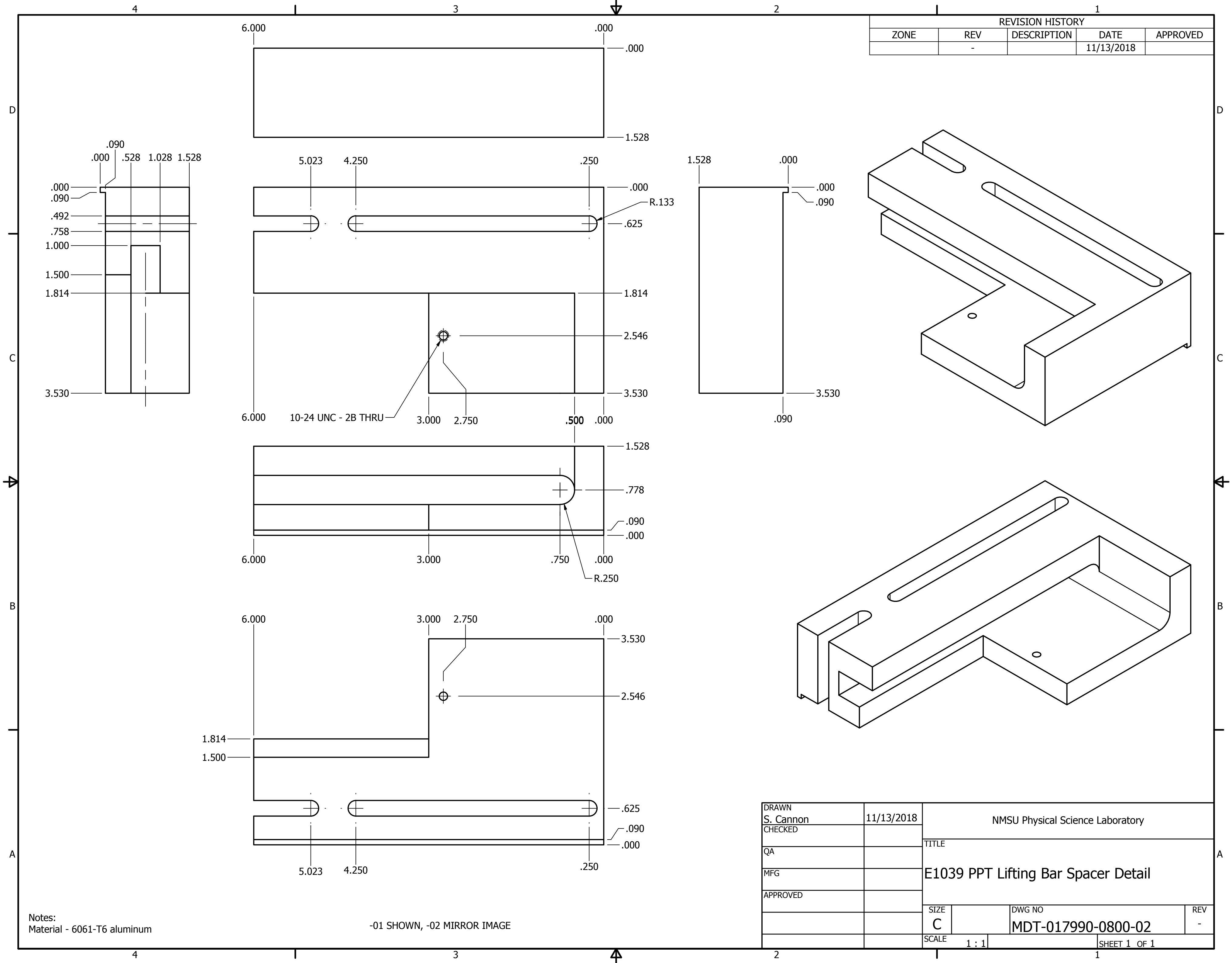


REVISION HISTORY				
ZONE	REV	DESCRIPTION	DATE	APPROVED
	-		11/13/2018	



D
C
B
A

D
C
B
A

Notes:
Material - 6061-T6 aluminum

-01 SHOWN, -02 MIRROR IMAGE

DRAWN S. Cannon	11/13/2018	NMSU Physical Science Laboratory		
CHECKED		TITLE		
QA		E1039 PPT Lifting Bar Spacer Detail		
MFG		SIZE C	DWG NO MDT-017990-0800-02	REV -
APPROVED		SCALE 1 : 1	SHEET 1 OF 1	