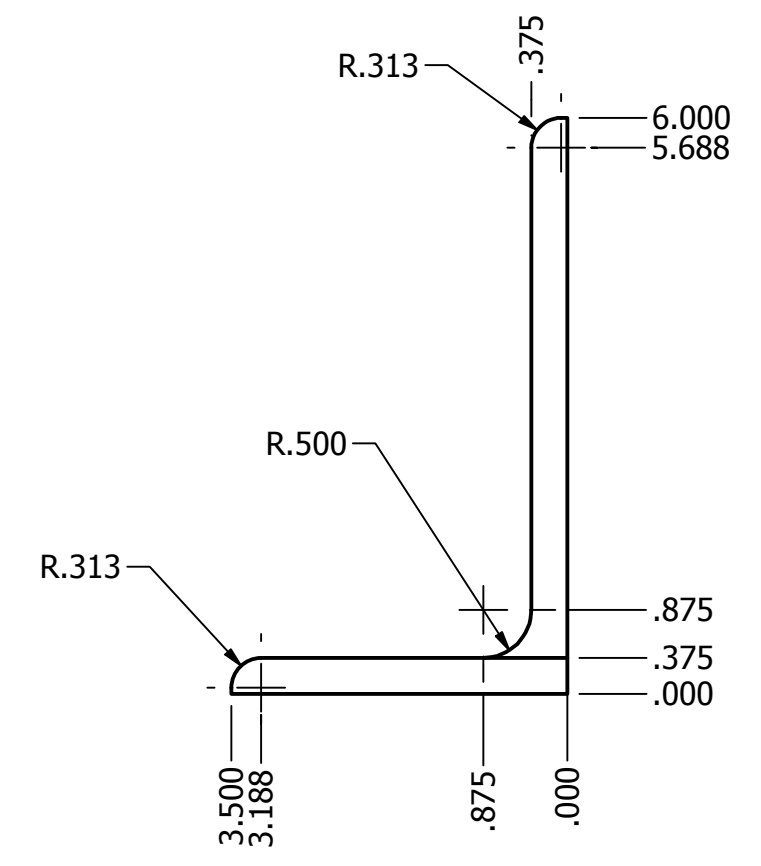
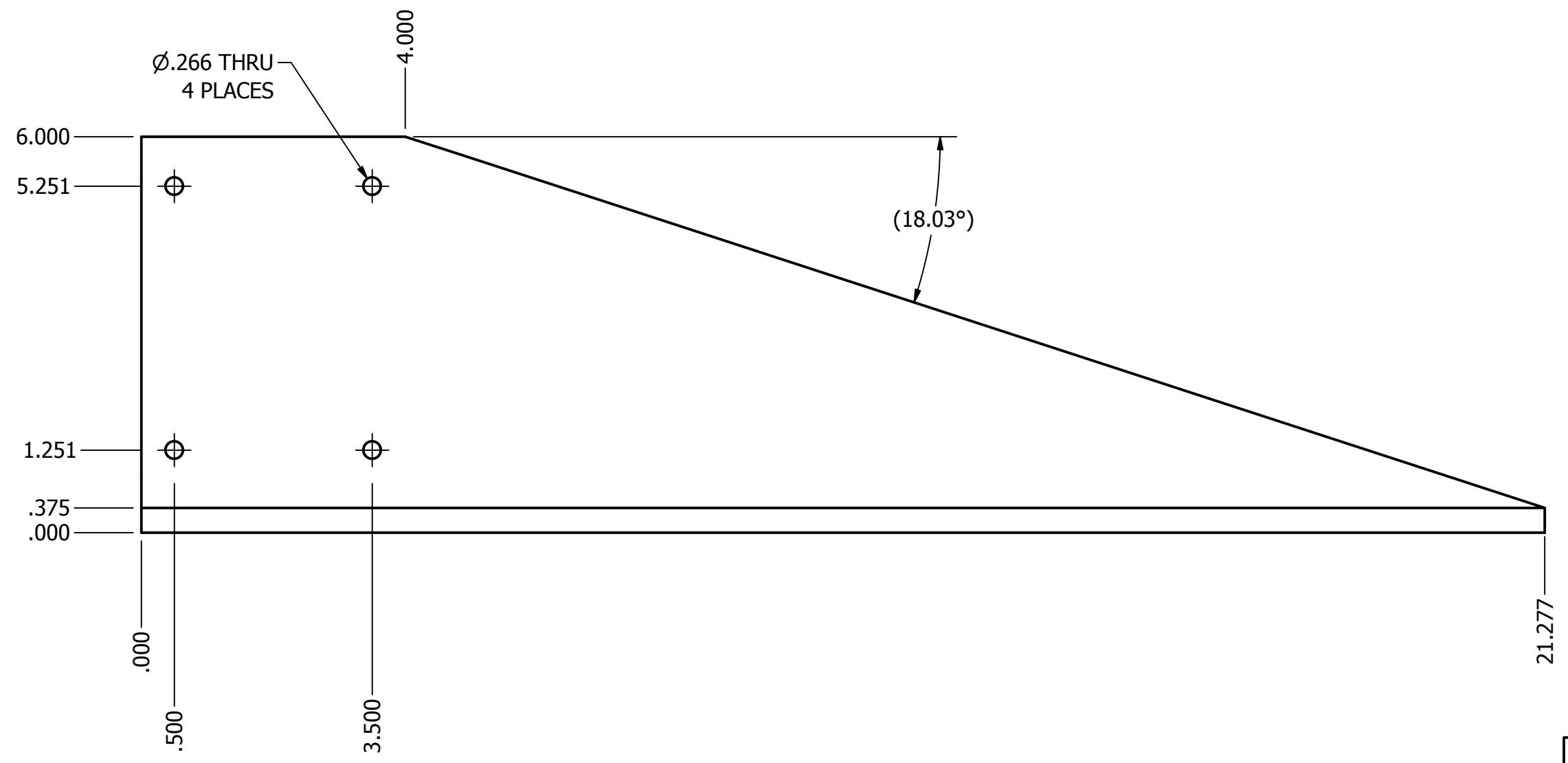
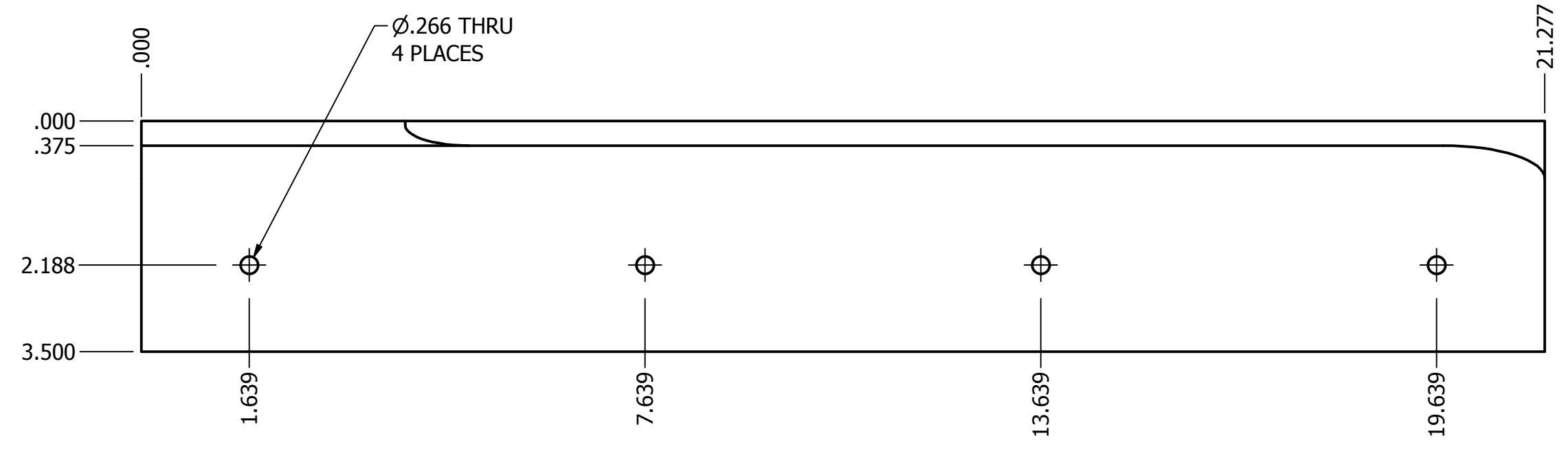
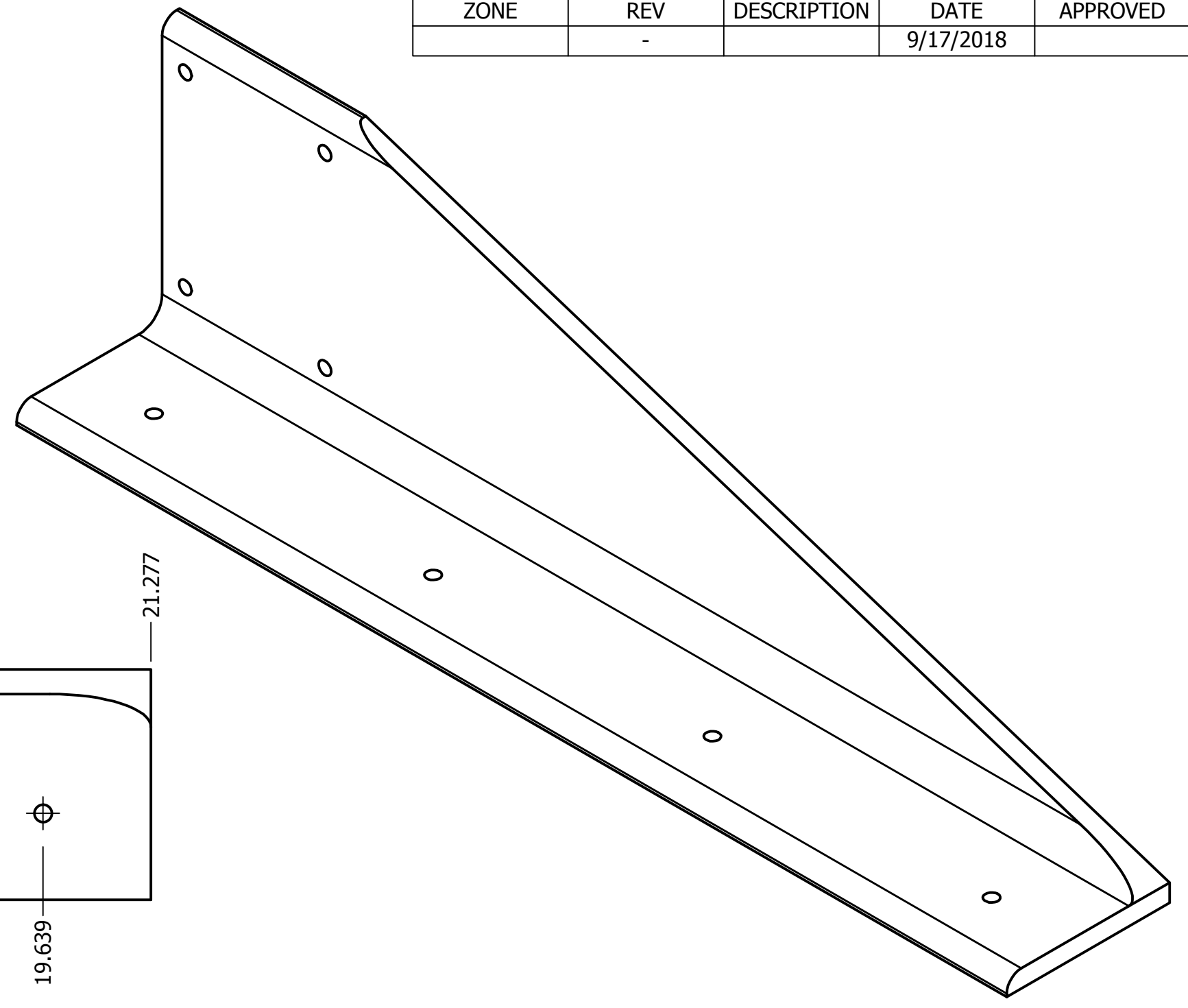


REVISION HISTORY				
ZONE	REV	DESCRIPTION	DATE	APPROVED
	-		9/17/2018	



THIS PART -01  
MIRROR IMAGE -02

Notes:  
Material: Unequal leg angle 6x3.4x4.04, 6000 series aluminum extrusion

DRAWN S. Cannon	9/17/2018	NMSU Physical Science Laboratory		
CHECKED		TITLE		
QA		E1039 PPT Lifter Support Angle Detail		
MFG				
APPROVED				
		SIZE C	DWG NO MDT-017990-0700-03	REV -
		SCALE 1 / 2	SHEET 1 OF 1	