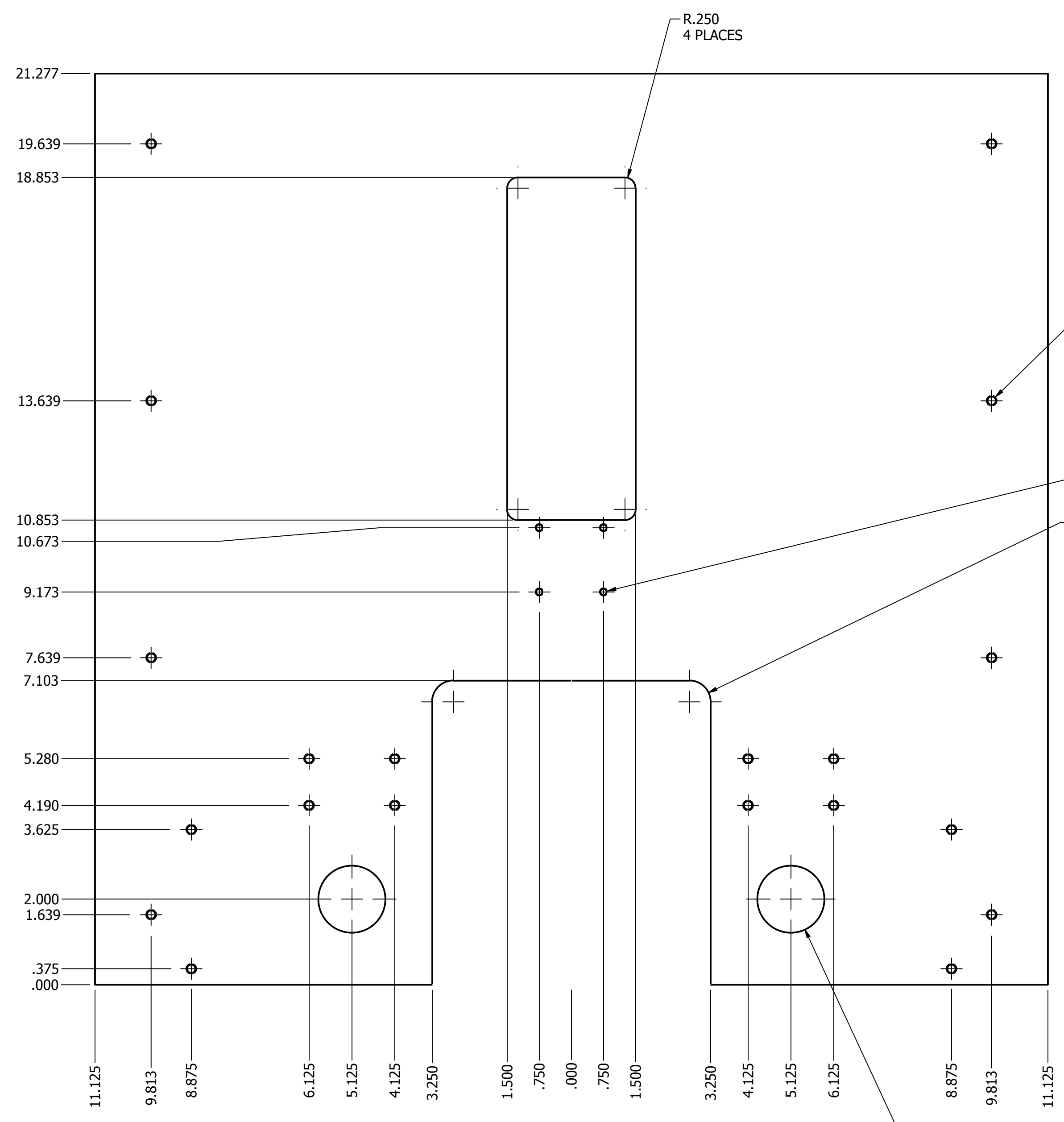


REVISION HISTORY				
ZONE	REV	DESCRIPTION	DATE	APPROVED
	-		9/18/2018	



21.277
19.639
18.853
13.639
10.853
10.673
9.173
7.639
7.103
5.280
4.190
3.625
2.000
1.639
.375
.000

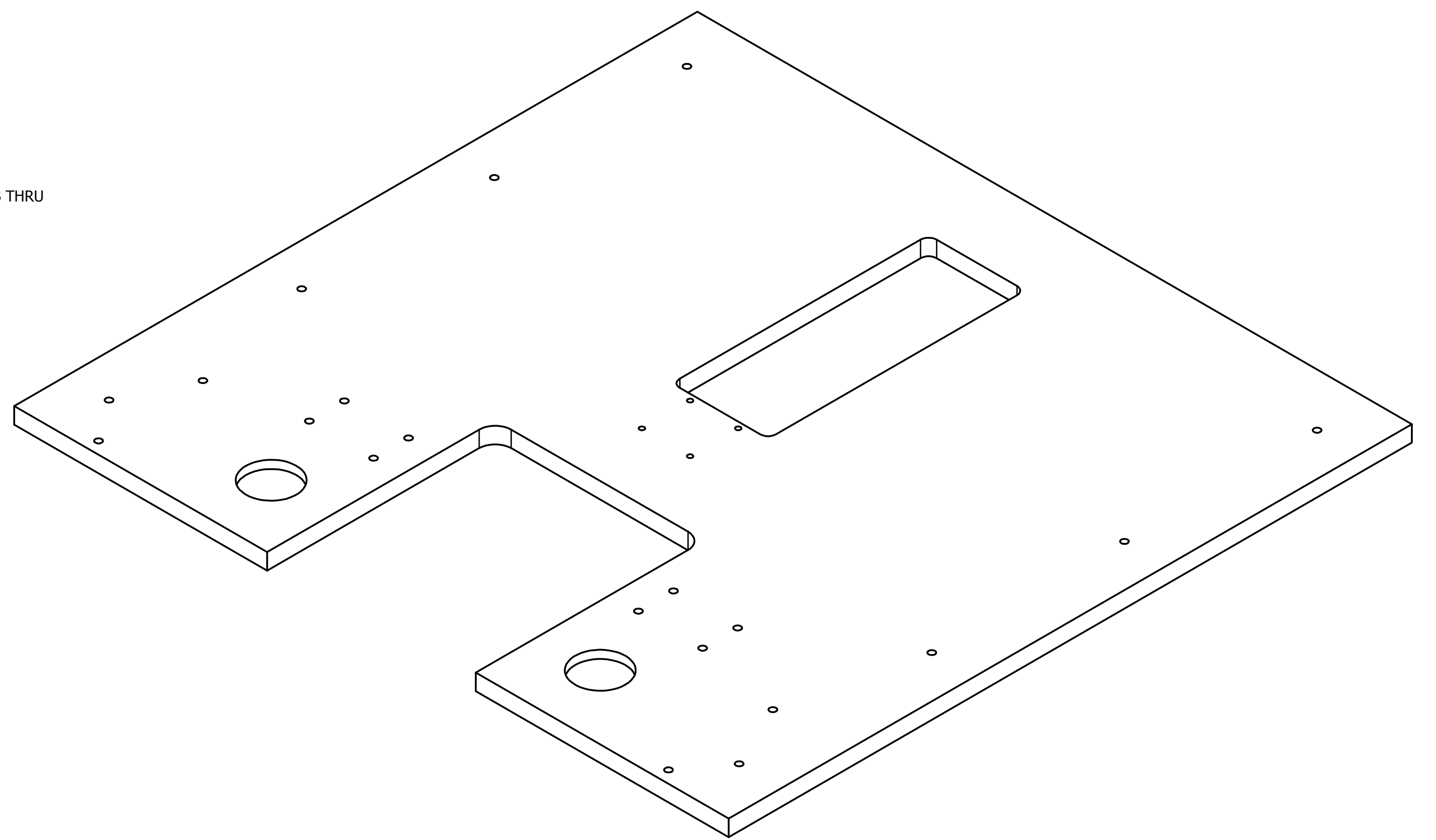
11.125 9.813 8.875 6.125 5.125 4.125 3.250 1.500 .750 .000 .750 1.500 3.250 4.125 5.125 6.125 8.875 9.813 11.125

R.250
4 PLACES

1/4-20 UNC - 2B THRU
20 PLACES

10-24 UNC - 2B THRU
4 PLACES
R.496
2 PLACES

Ø1.563 ∇ .25
2 PLACES



.500

Notes:
Material: 6061-T6 aluminum

DRAWN S. Cannon	9/18/2018	NMSU Physical Science Laboratory		
CHECKED		TITLE		
QA		E1039 PPT Lifter Support Base Plate Detail		
MFG		SIZE D	DWG NO MDT-017990-0700-02	REV -
APPROVED		SCALE 1 / 2	SHEET 1 OF 1	