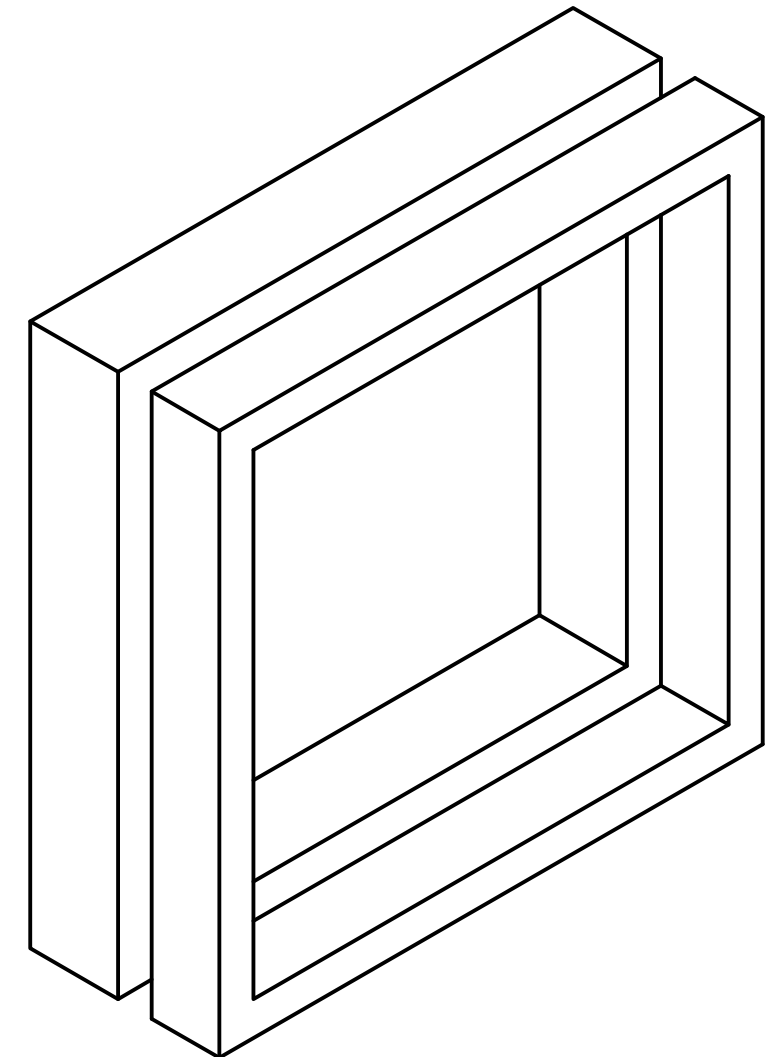
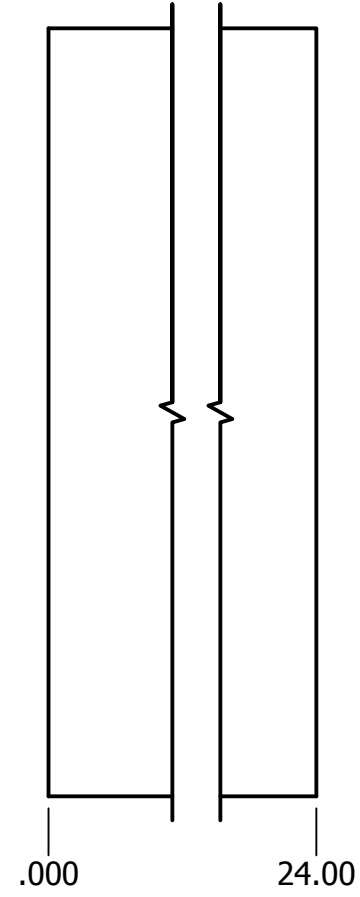
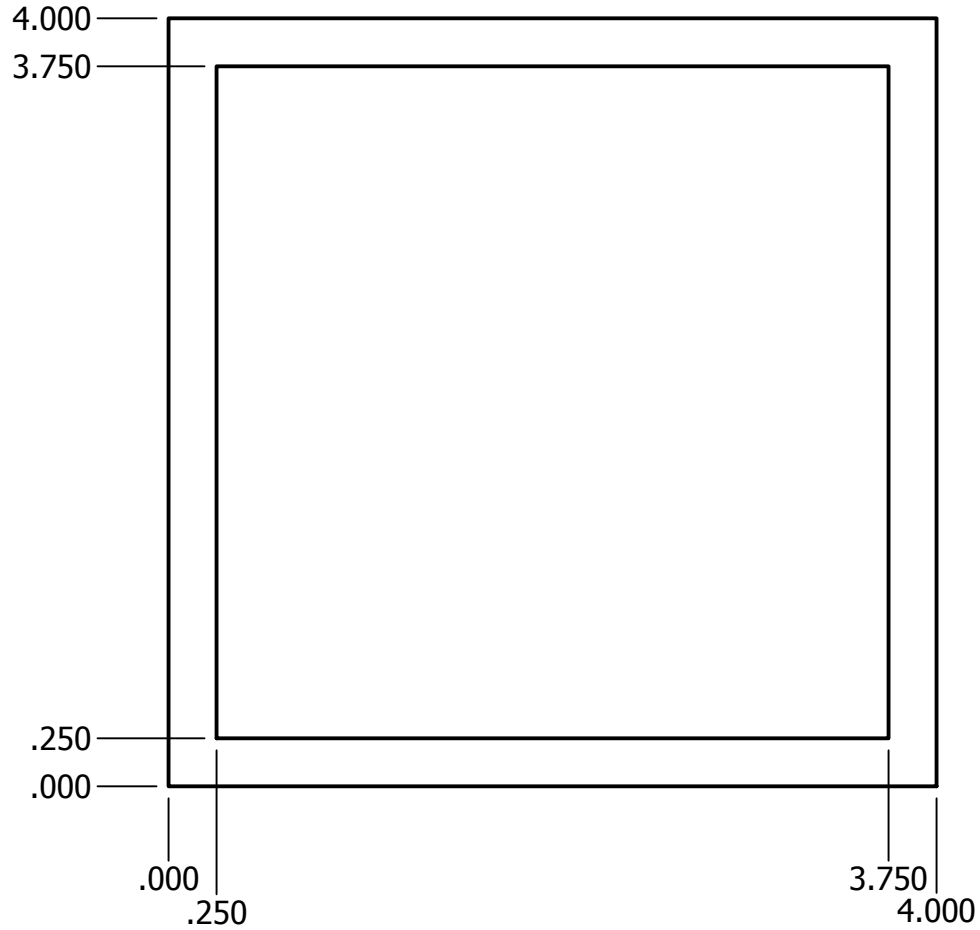


REVISION HISTORY				
ZONE	REV	DESCRIPTION	DATE	APPROVED
	-		9/17/2018	

B



B

A

A

A

A

Notes:
Material: 6000 series aluminum extrusion

DRAWN S. Cannon	9/17/2018	NMSU Physical Science Laboratory		
CHECKED		TITLE		
QA		E1039 PPT Support Upper Crossmember Detail		
MFG				
APPROVED				
		SIZE B	DWG NO MDT-017990-0500-02	REV -
		SCALE 1 : 1	SHEET 1 OF 1	