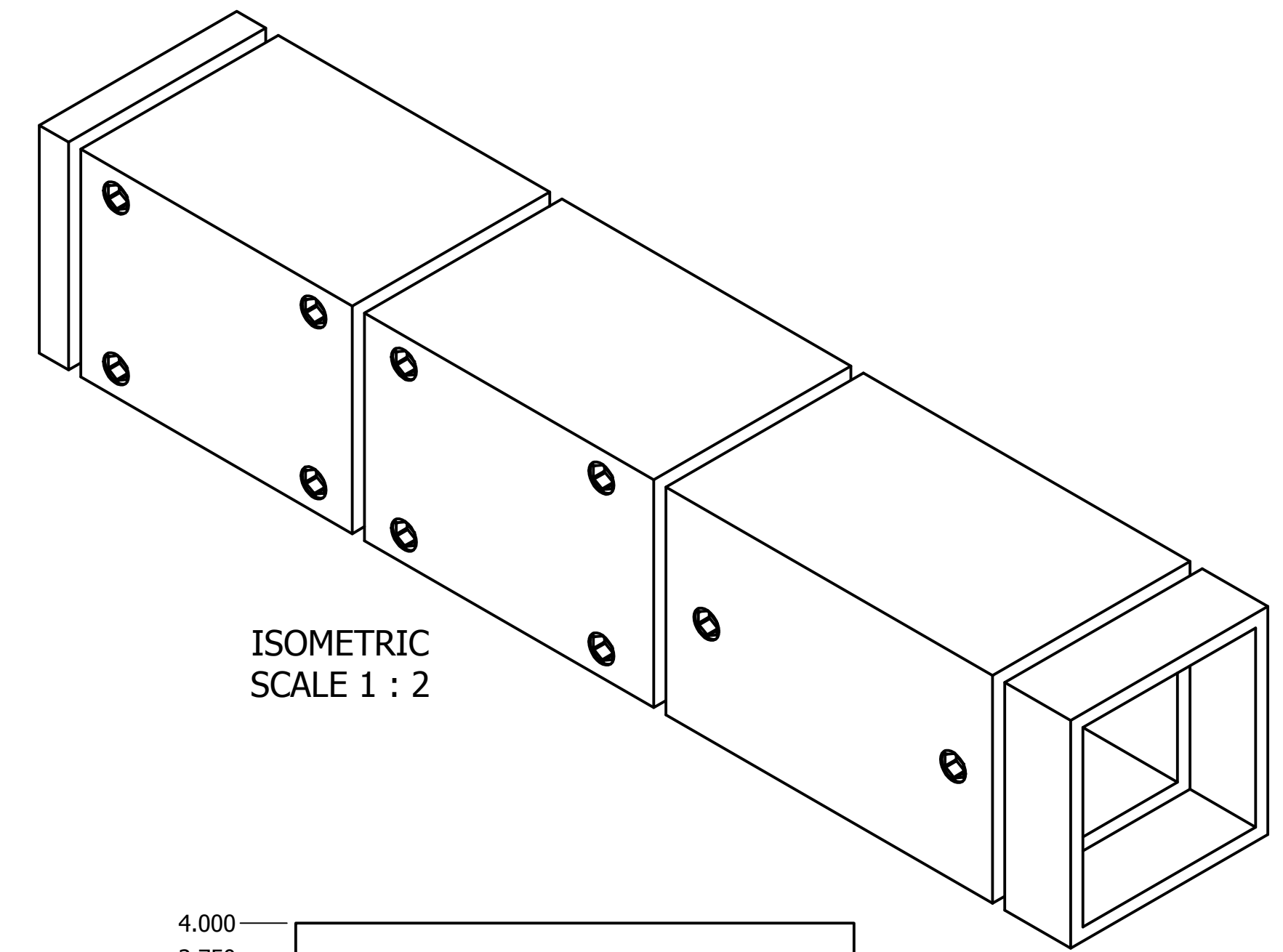
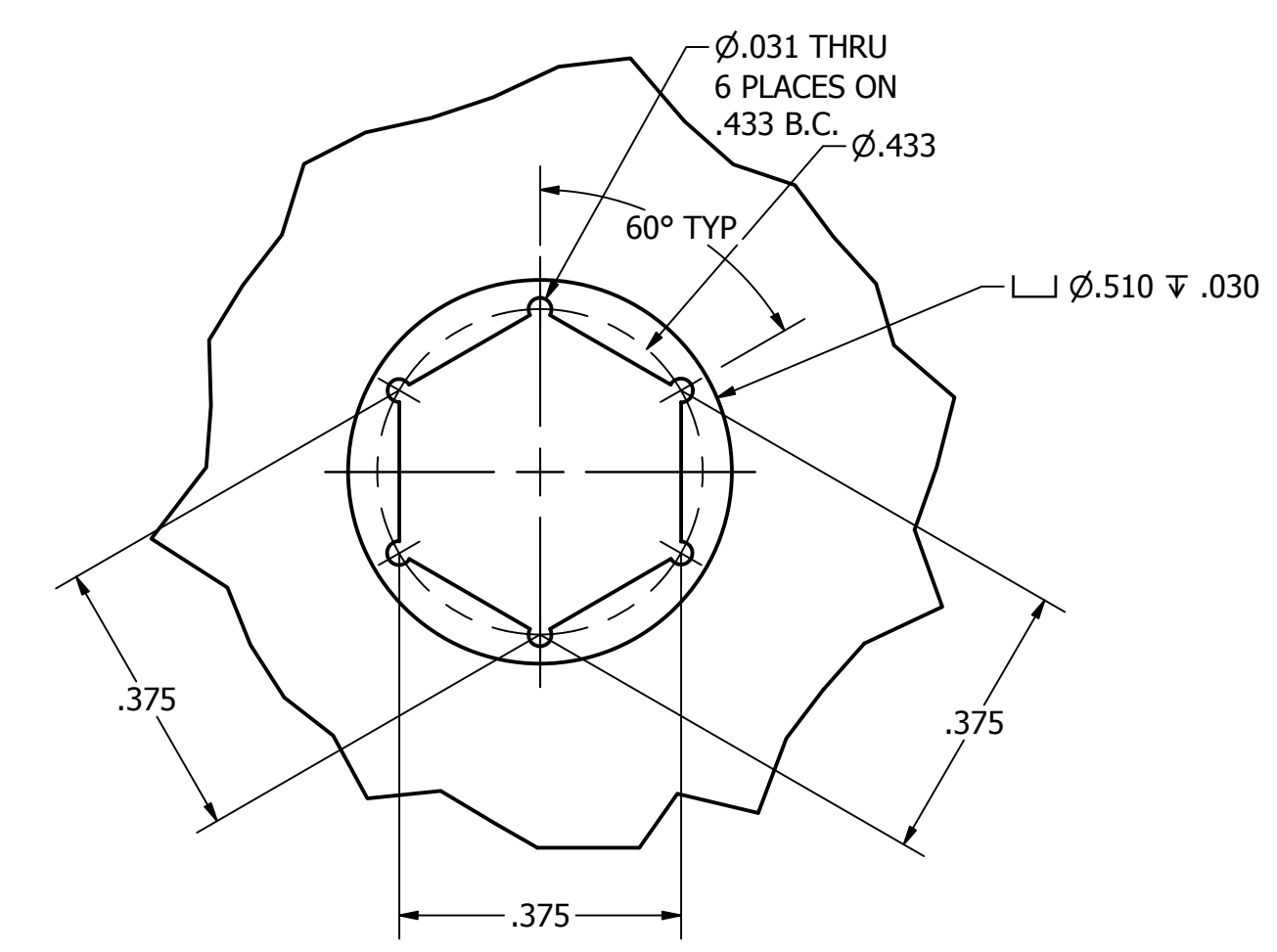
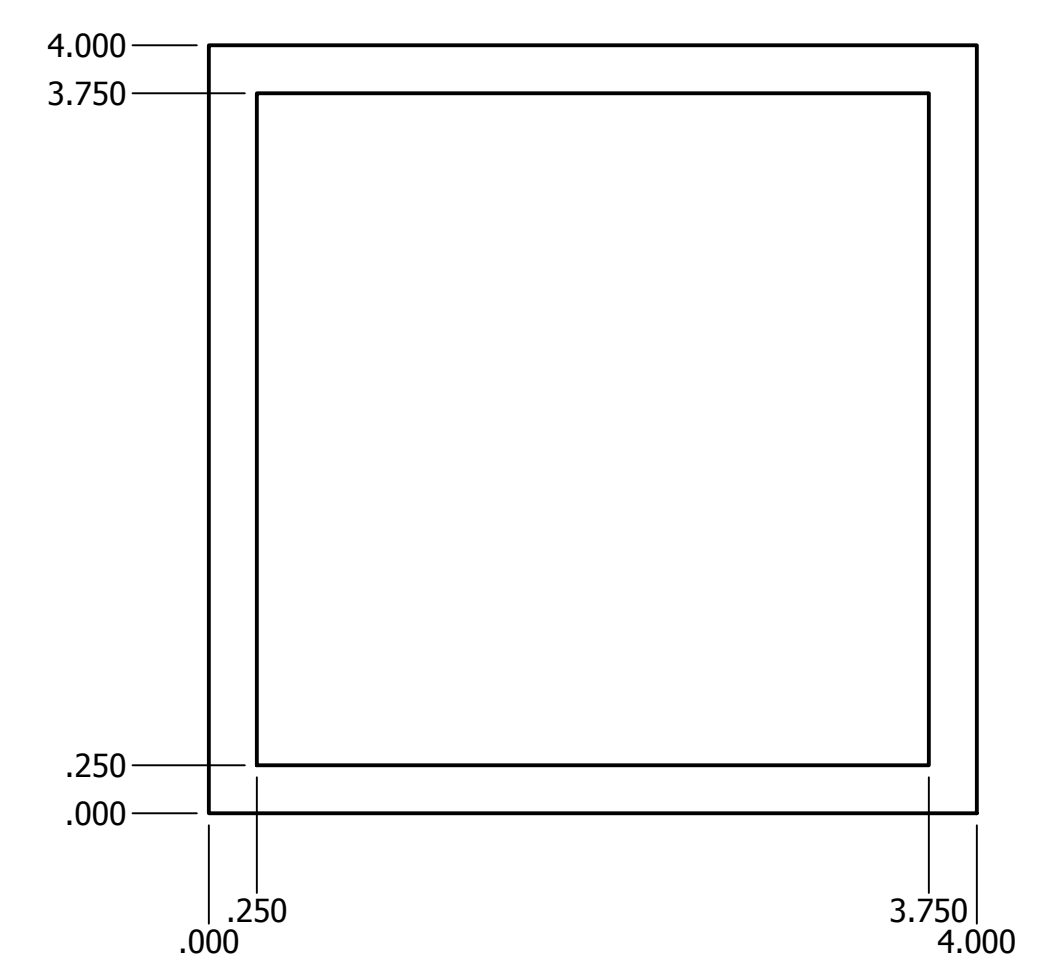
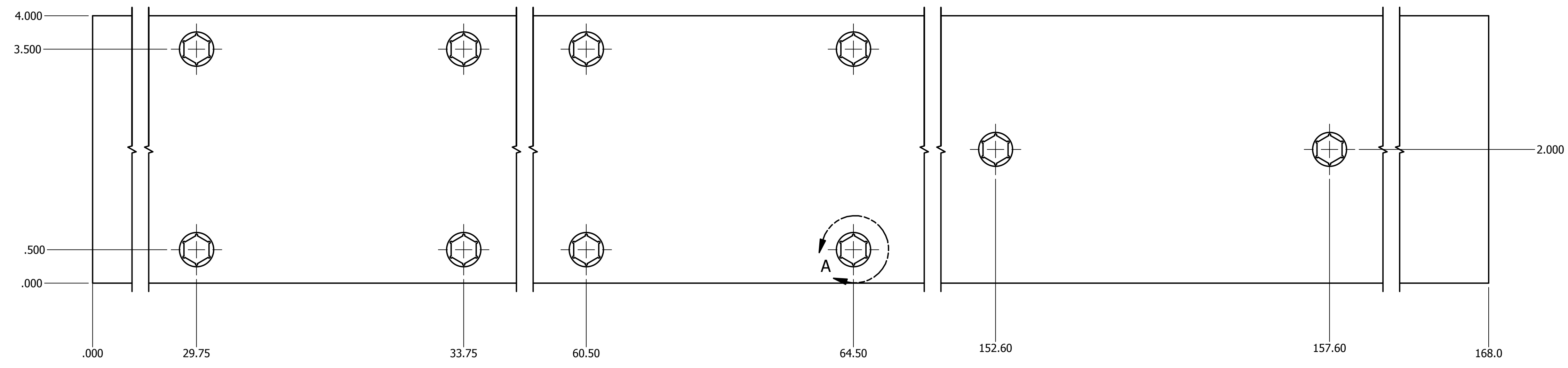


REVISION HISTORY				
ZONE	REV	DESCRIPTION	DATE	APPROVED
	-		9/30/2018	



ISOMETRIC  
SCALE 1 : 2



DETAIL A  
SCALE 4 : 1  
10 PLACES

Notes:  
Material: 6000 series aluminum extrusion

DRAWN S. Cannon	9/17/2018	NMSU Physical Science Laboratory		
CHECKED		TITLE		
QA		E1039 PPT Support Upright Detail		
MFG		SIZE D	DWG NO MDT-017990-0500-01	REV -
APPROVED		SCALE 1 : 1	SHEET 1 OF 1	