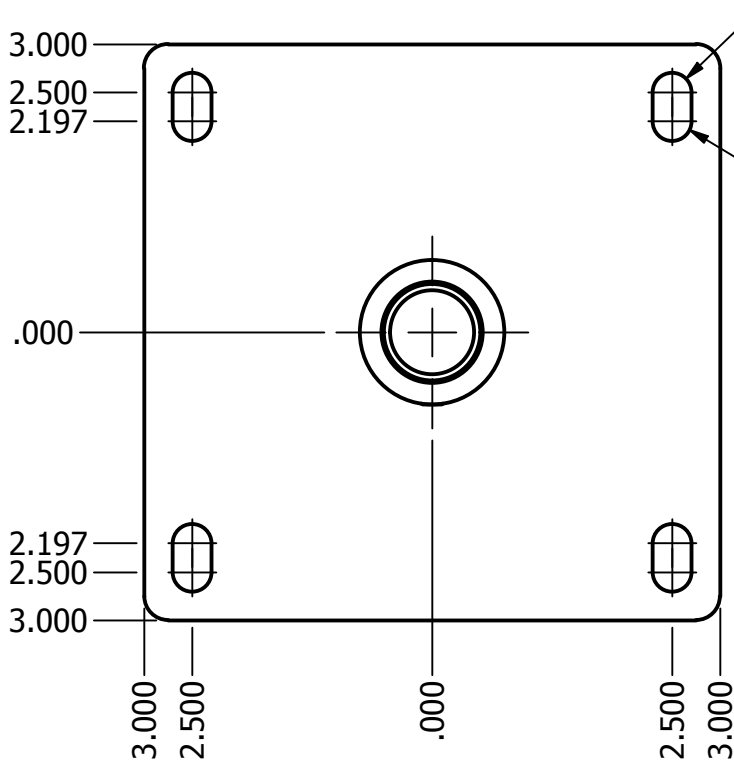
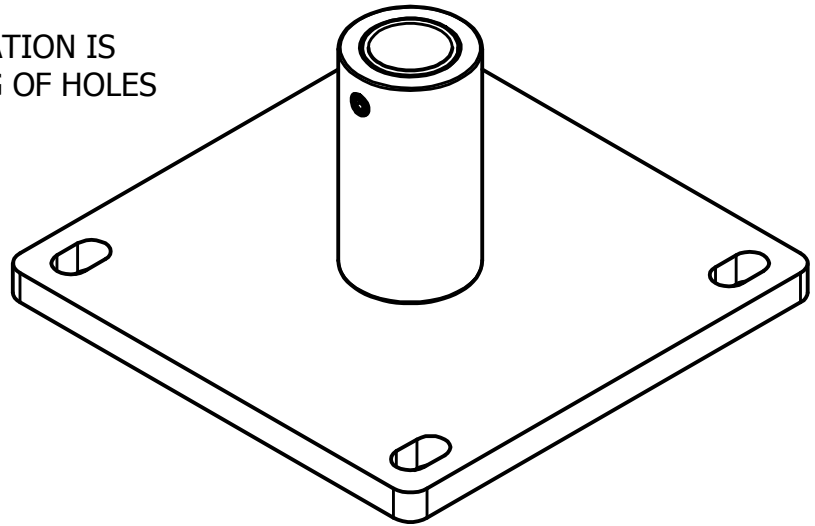


REVISION HISTORY				
ZONE	REV	DESCRIPTION	DATE	APPROVED
	-		9/17/2018	



R.203
8 PLACES

MODIFICATION IS
SLOTTING OF HOLES
4 PLACES



DRAWN	S. Cannon	9/17/2018
CHECKED		
QA		
MFG		
APPROVED		

NMSU Physical Science Laboratory			
TITLE			
5164T510 Modification Detail			
SIZE		DWG NO	REV
A		MDT-017990-0400-02	-
SCALE	1 / 2	SHEET 1 OF 1	