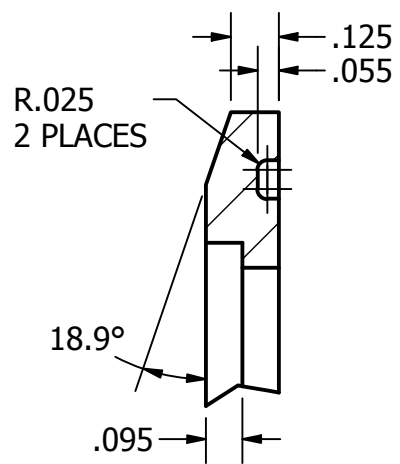
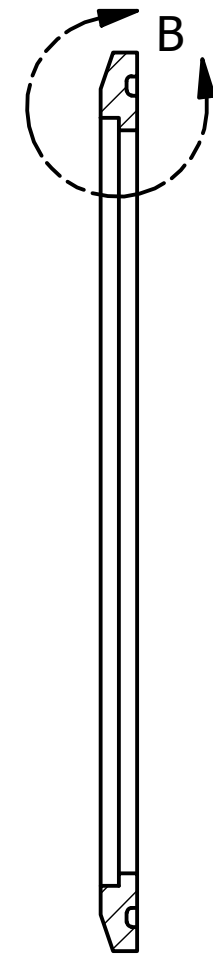
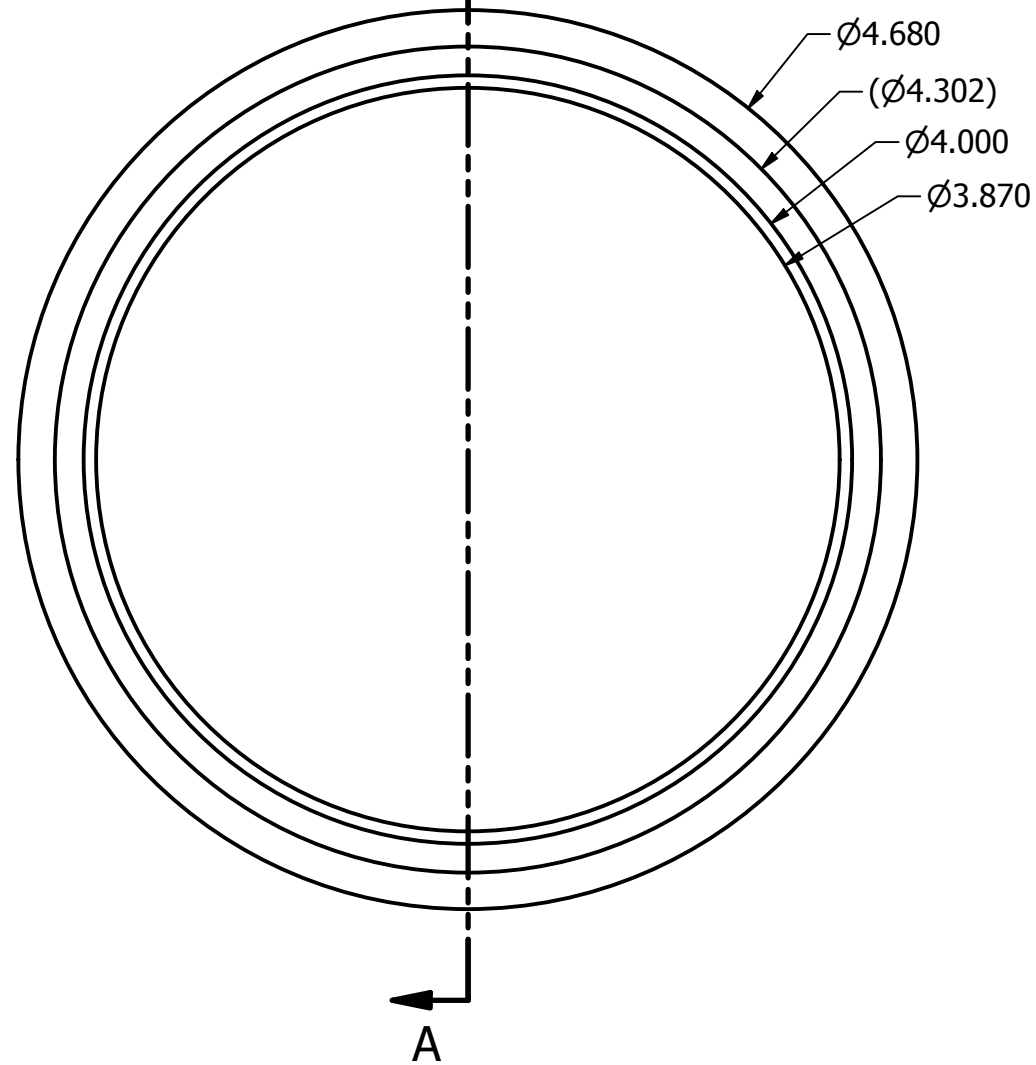
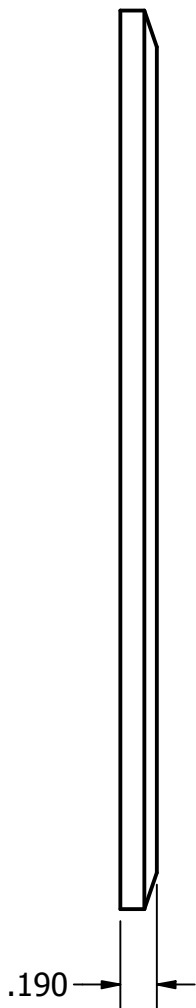
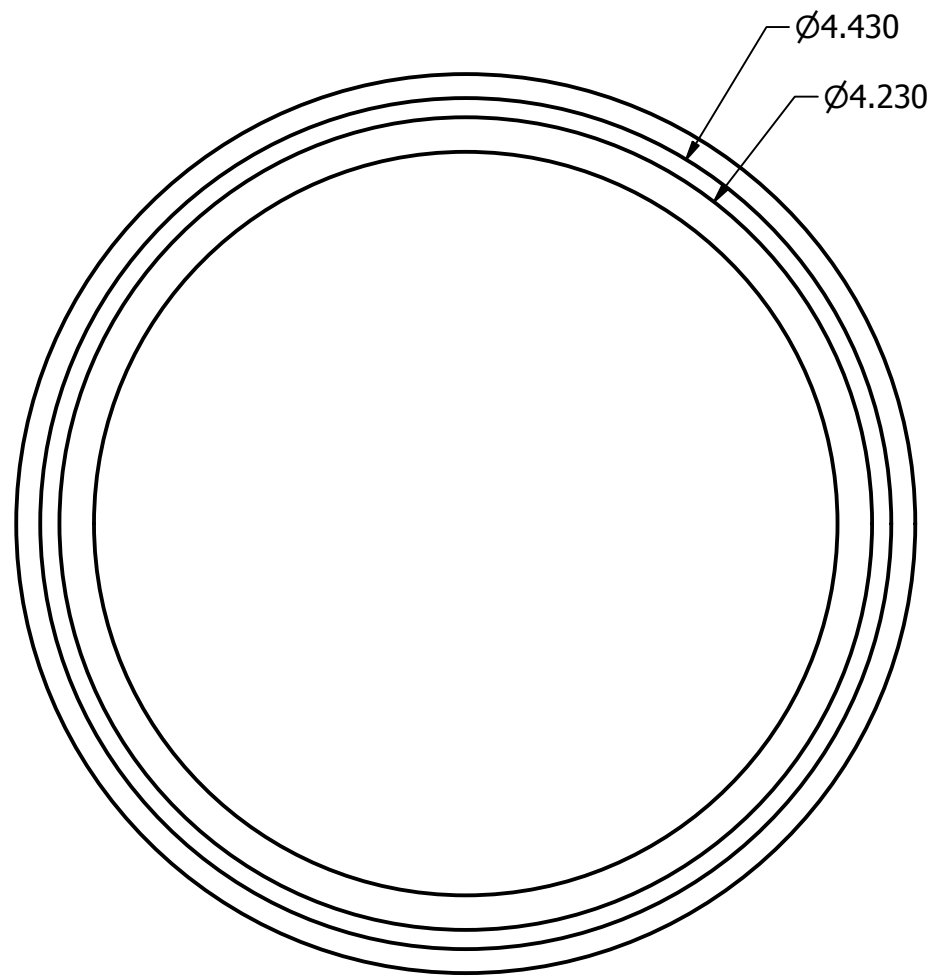


REVISION HISTORY				
ZONE	REV	DESCRIPTION	DATE	APPROVED
	-		8/20/2018	



DETAIL B
SCALE 2 : 1

Notes:
Material: 316L CRES (non-magnetic)

DRAWN S. Cannon	8/20/2018	NMSU Physical Science Laboratory		
CHECKED		TITLE		
QA		E1039 PPT Bellows Upper Flange Detail		
MFG				
APPROVED				
		SIZE B	DWG NO MDT-017990-0300-02	REV -
		SCALE 1 : 1	SHEET 1 OF 1	