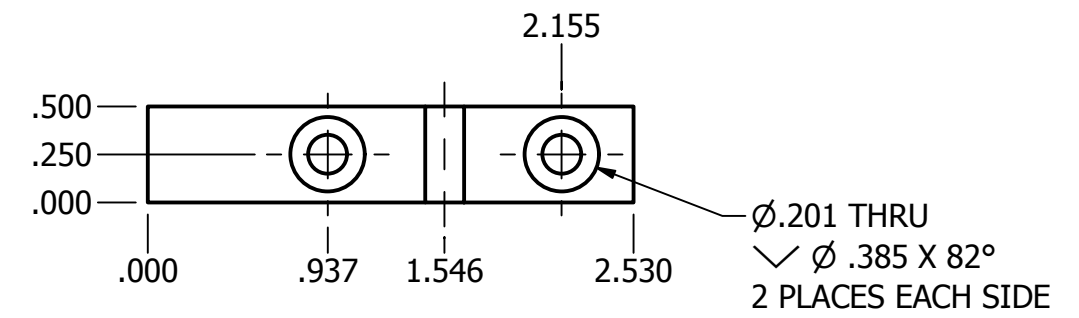
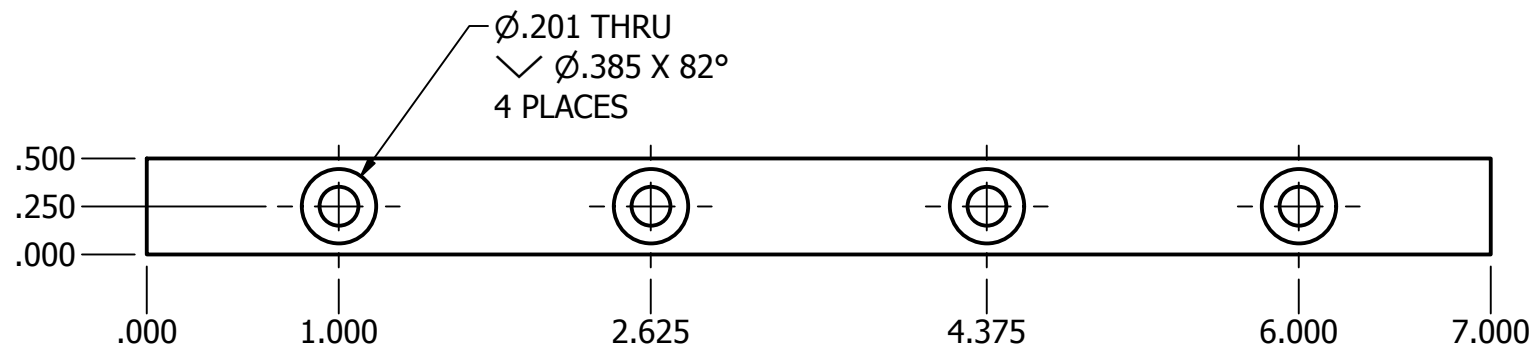
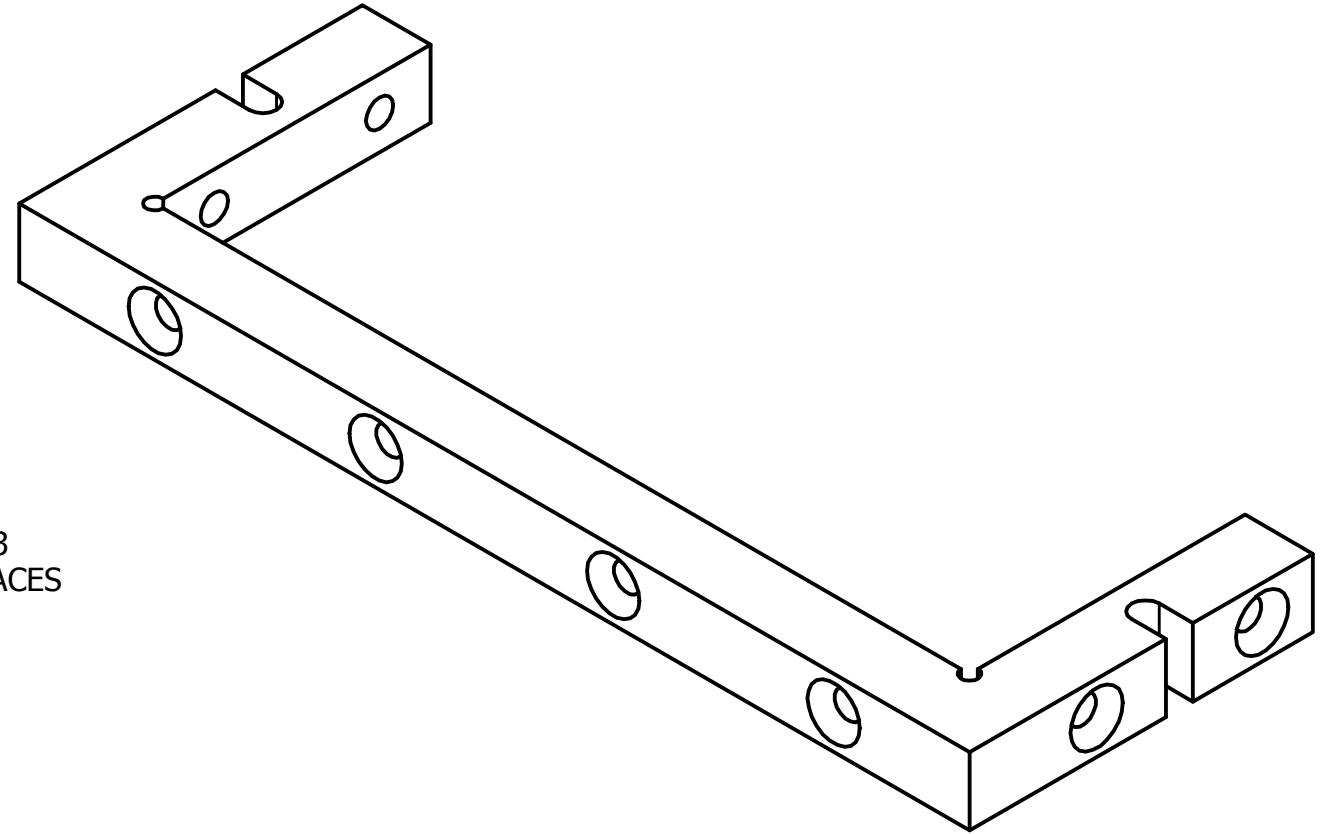
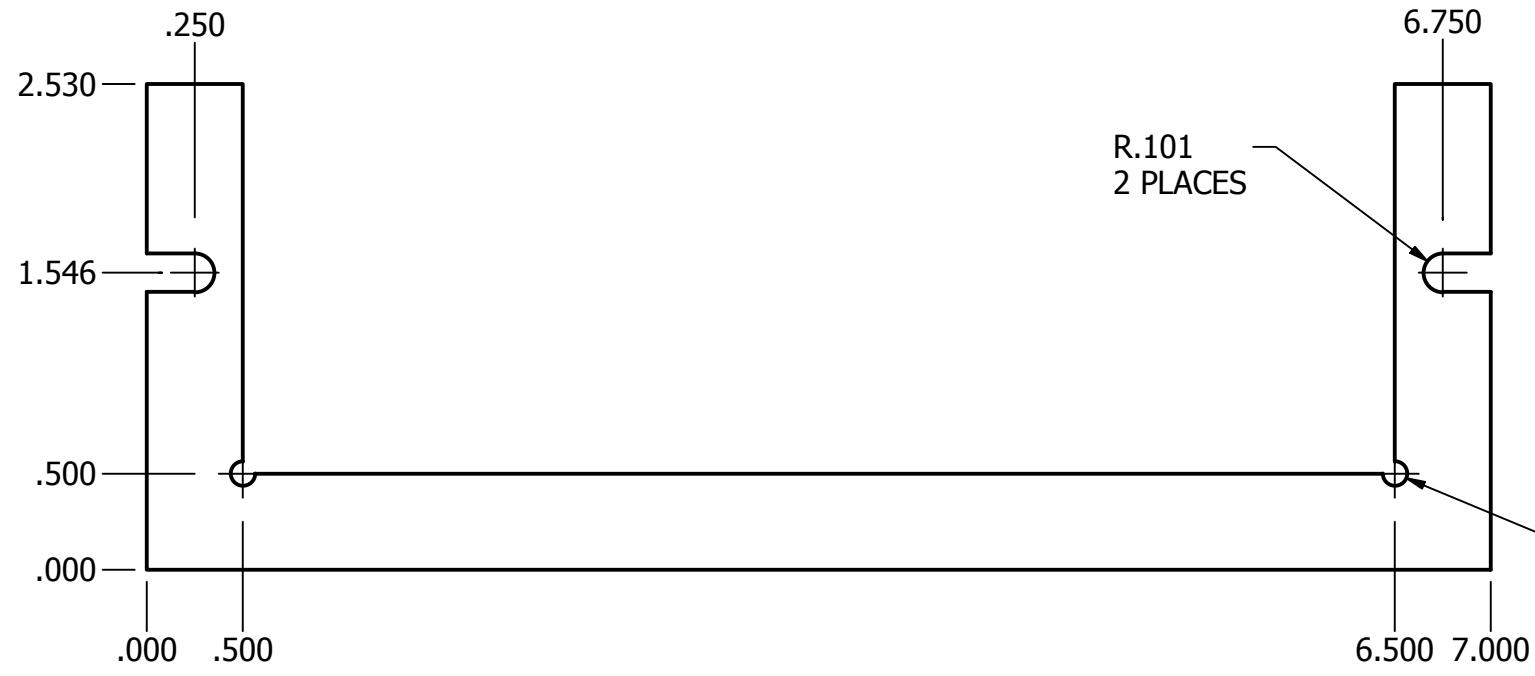


REVISION HISTORY				
ZONE	REV	DESCRIPTION	DATE	APPROVED
	-		11/15/2018	



DRAWN S. Cannon	11/15/2018	NMSU Physical Science Laboratory		
CHECKED		TITLE		
QA		E1039 PPT Lifting Bar Stop Detail		
MFG				
APPROVED				
		SIZE B	DWG NO MDT-017990-0200-06	REV -
		SCALE 1 : 1	SHEET 1 OF 1	

Notes:  
Material - 6061-T6 aluminum