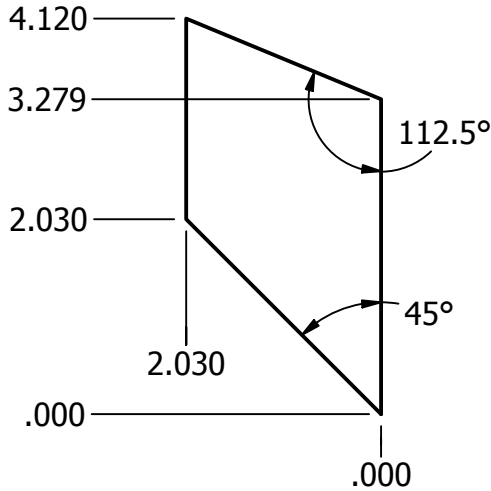
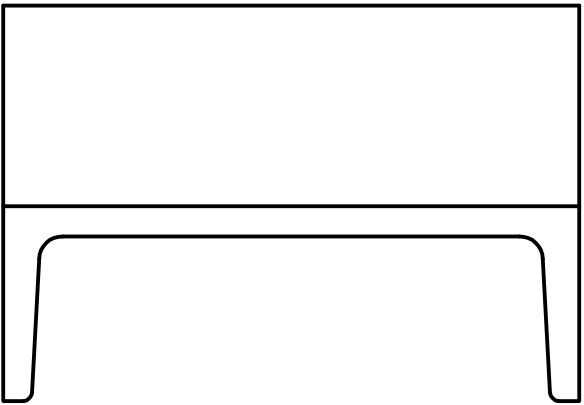
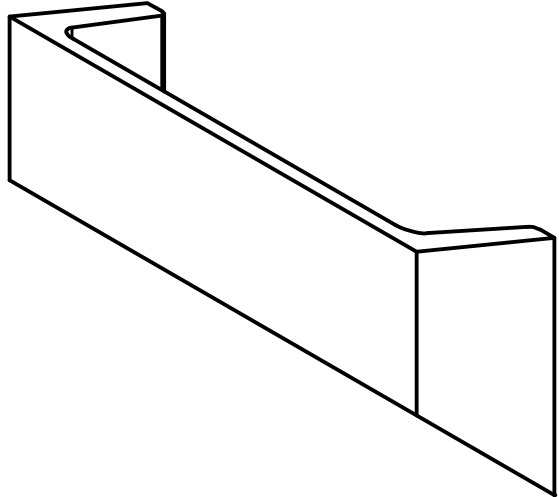
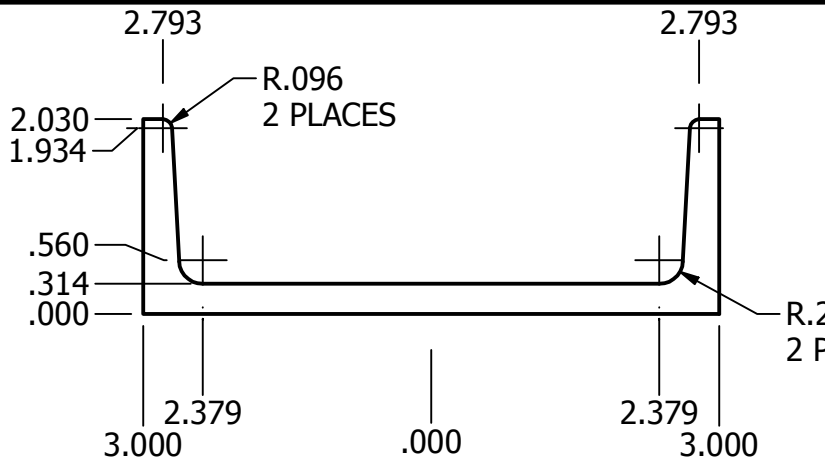


REVISION HISTORY				
ZONE	REV	DESCRIPTION	DATE	APPROVED
	-		10/16/2018	



DRAWN	S. Cannon	10/16/2018
CHECKED		
QA		
MFG		
APPROVED		

NMSU Physical Science Laboratory			
TITLE			
E1039 PPT Lifting Bar Diagonal Detail			
SIZE	A	DWG NO	MDT-017990-0200-05
SCALE	1 / 2	SHEET	1 OF 1