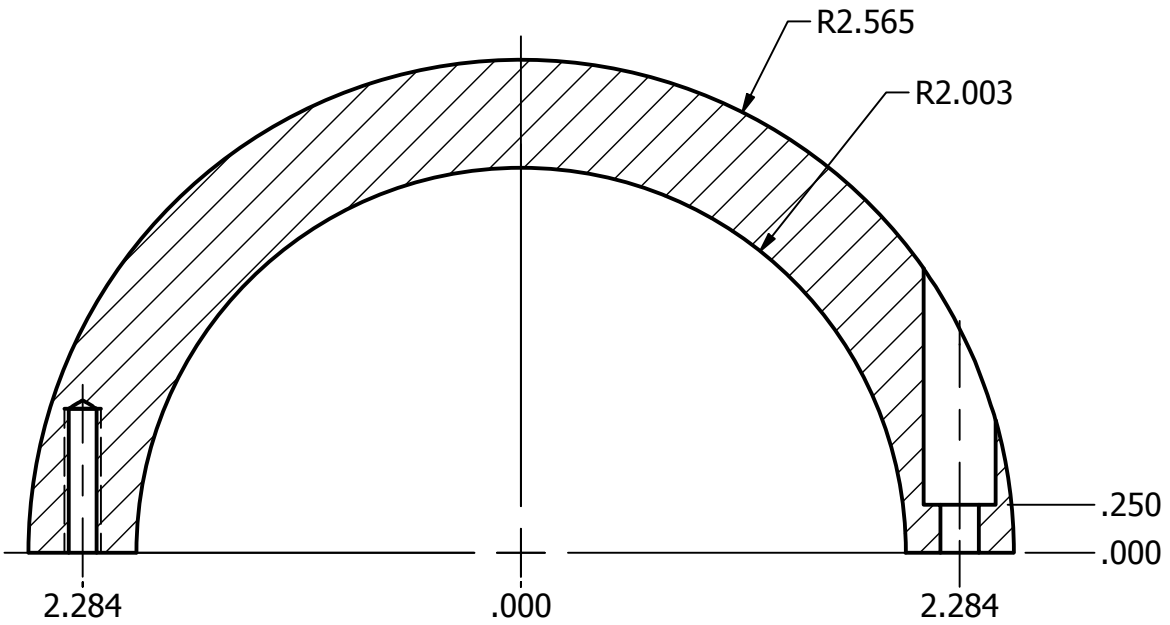
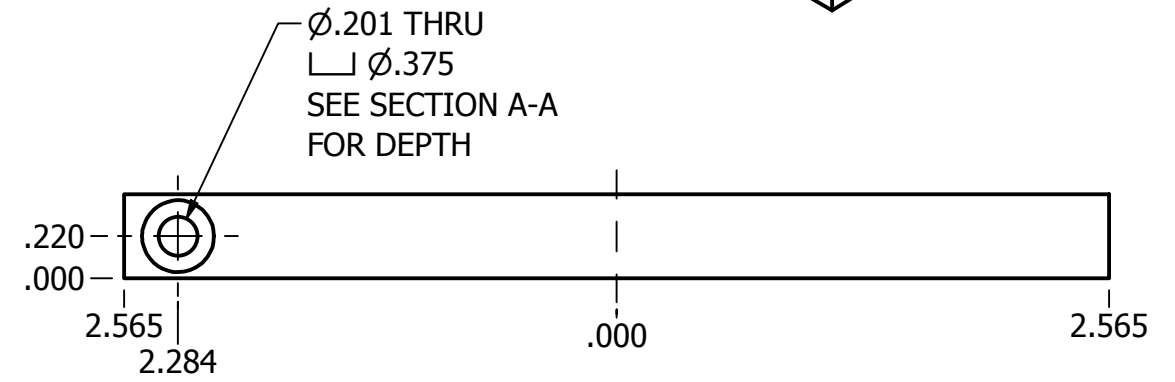
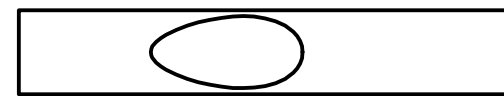
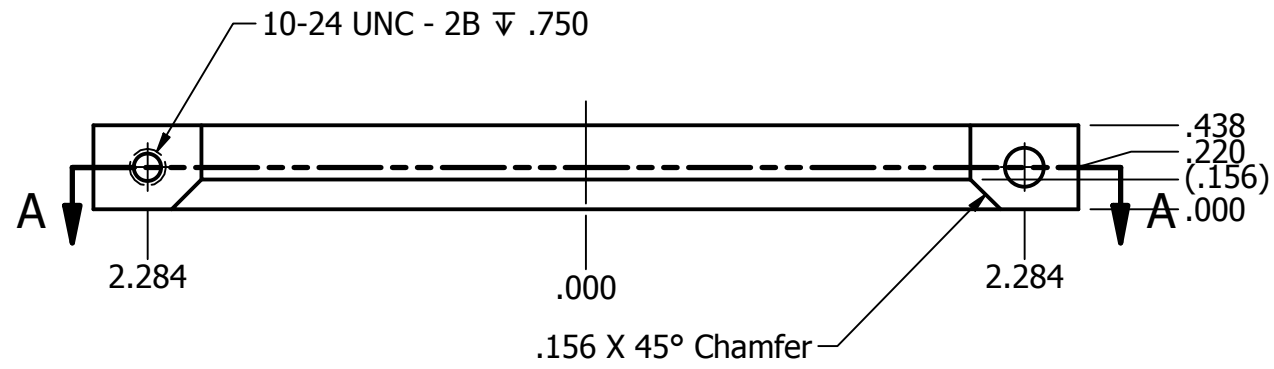
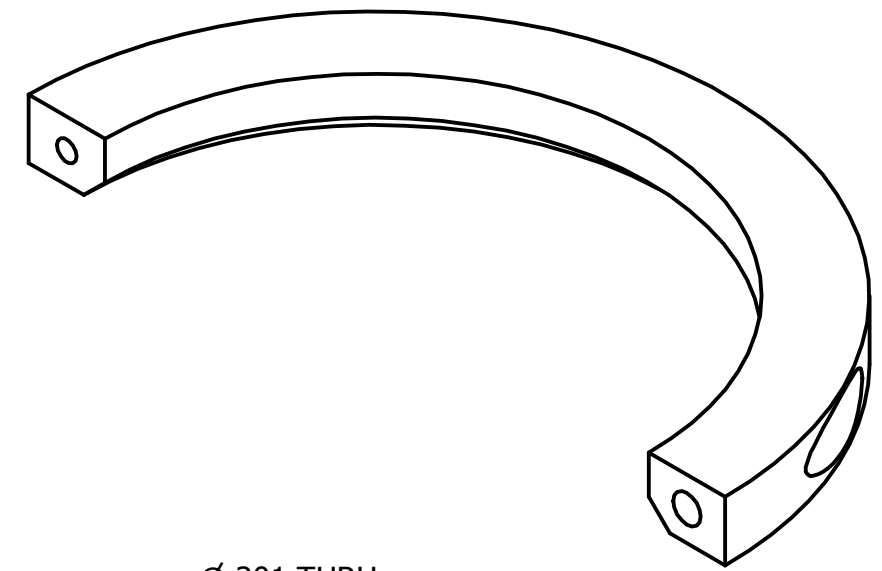


REVISION HISTORY				
ZONE	REV	DESCRIPTION	DATE	APPROVED
	-		9/30/2018	



SECTION A-A



Notes:
 Material: 6061-T6 Aluminum
 Quantity: 2 Identical Parts Required

DRAWN S. Cannon	9/30/2018	NMSU Physical Science Laboratory		
CHECKED		TITLE		
QA		E1039 PPT Locking Collar Detail		
MFG				
APPROVED				
		SIZE B	DWG NO MDT-017990-0200-04	REV -
		SCALE 1 : 1	SHEET 1 OF 1	