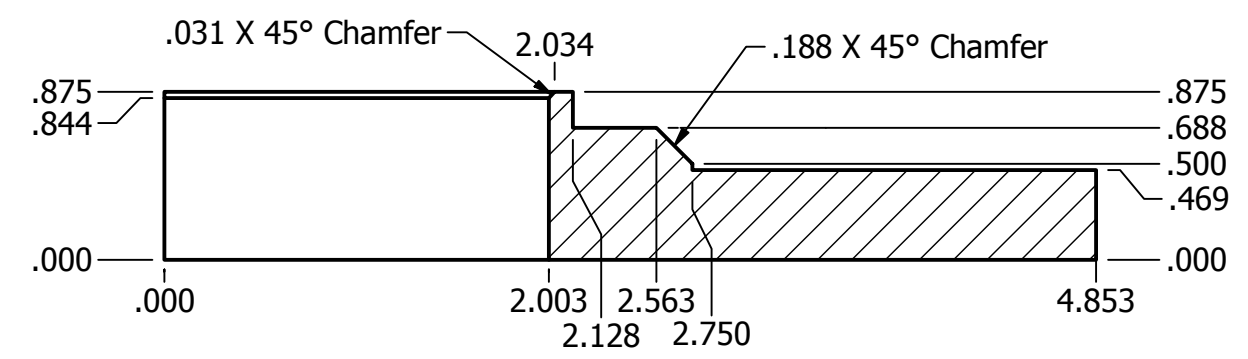
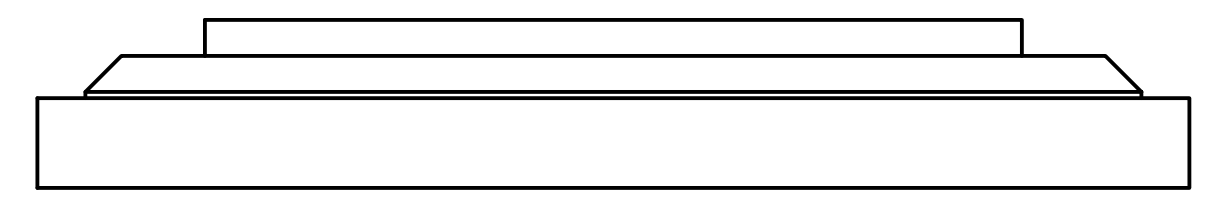
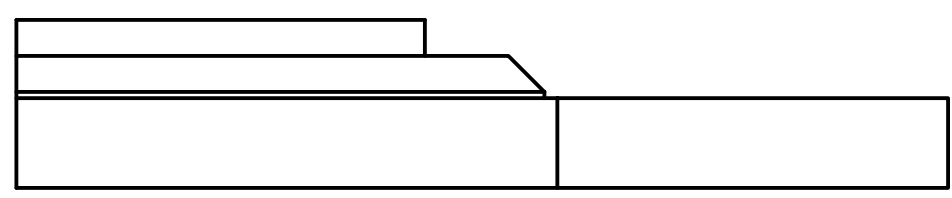
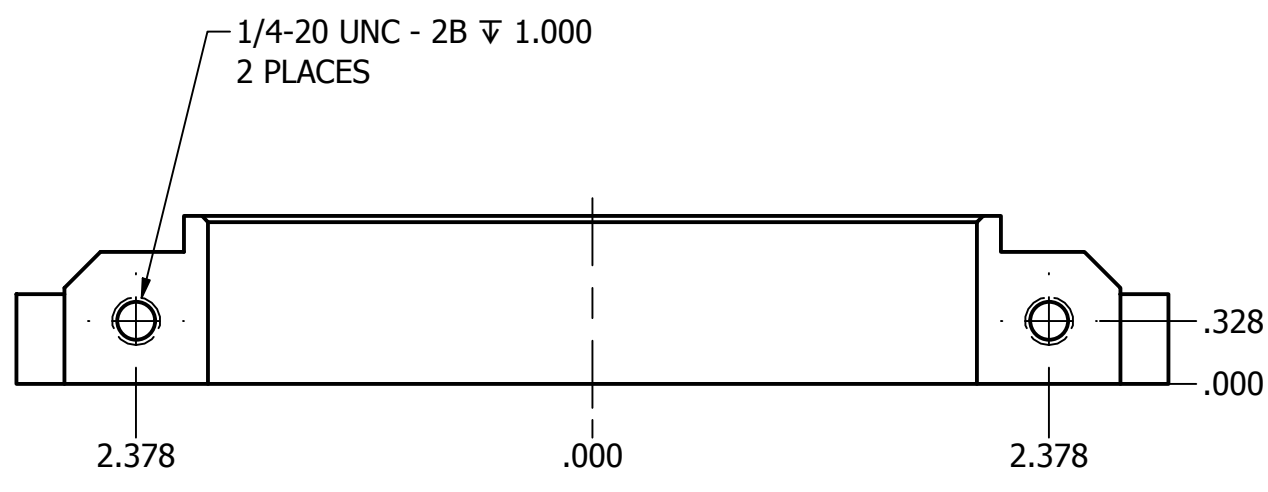
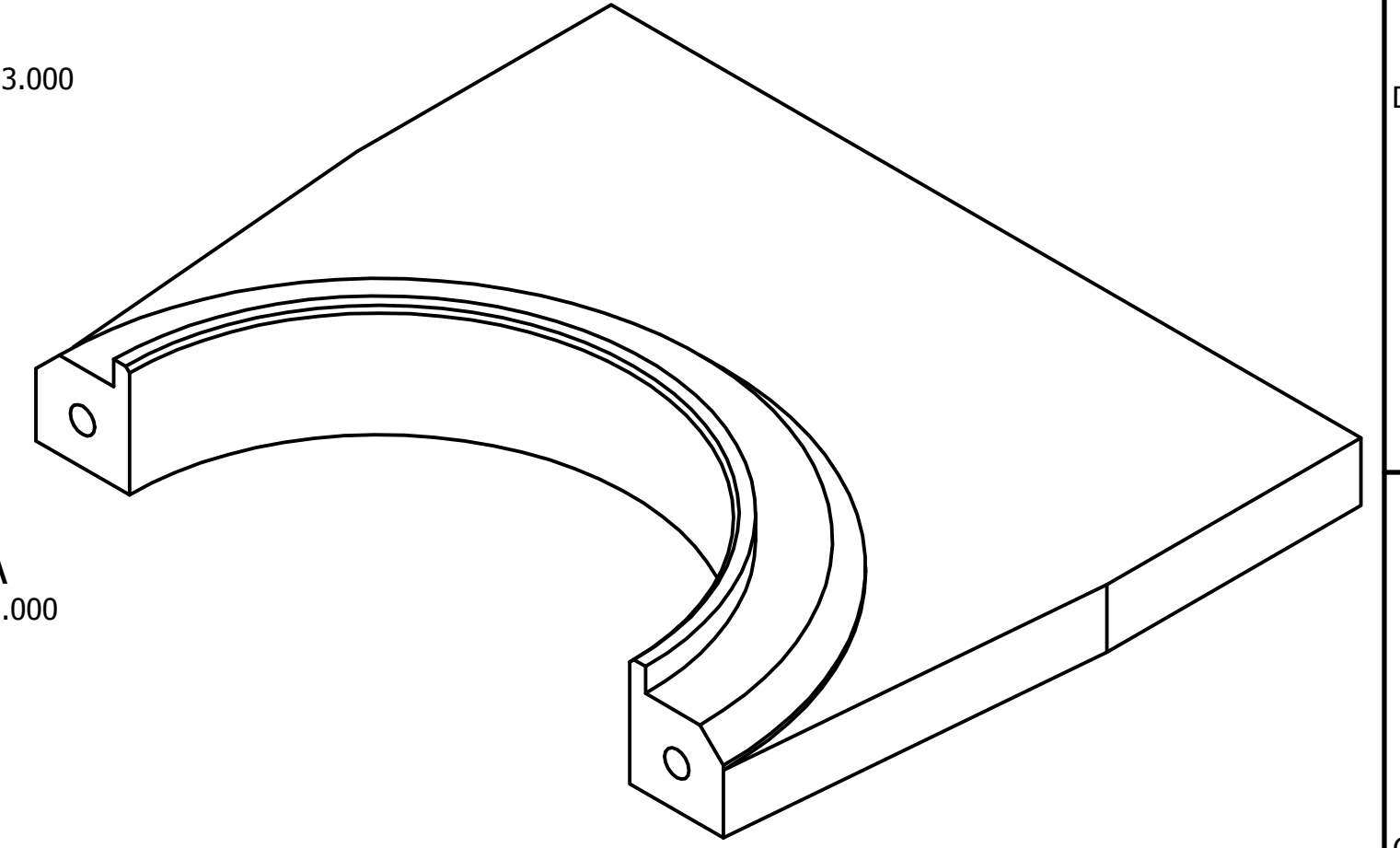
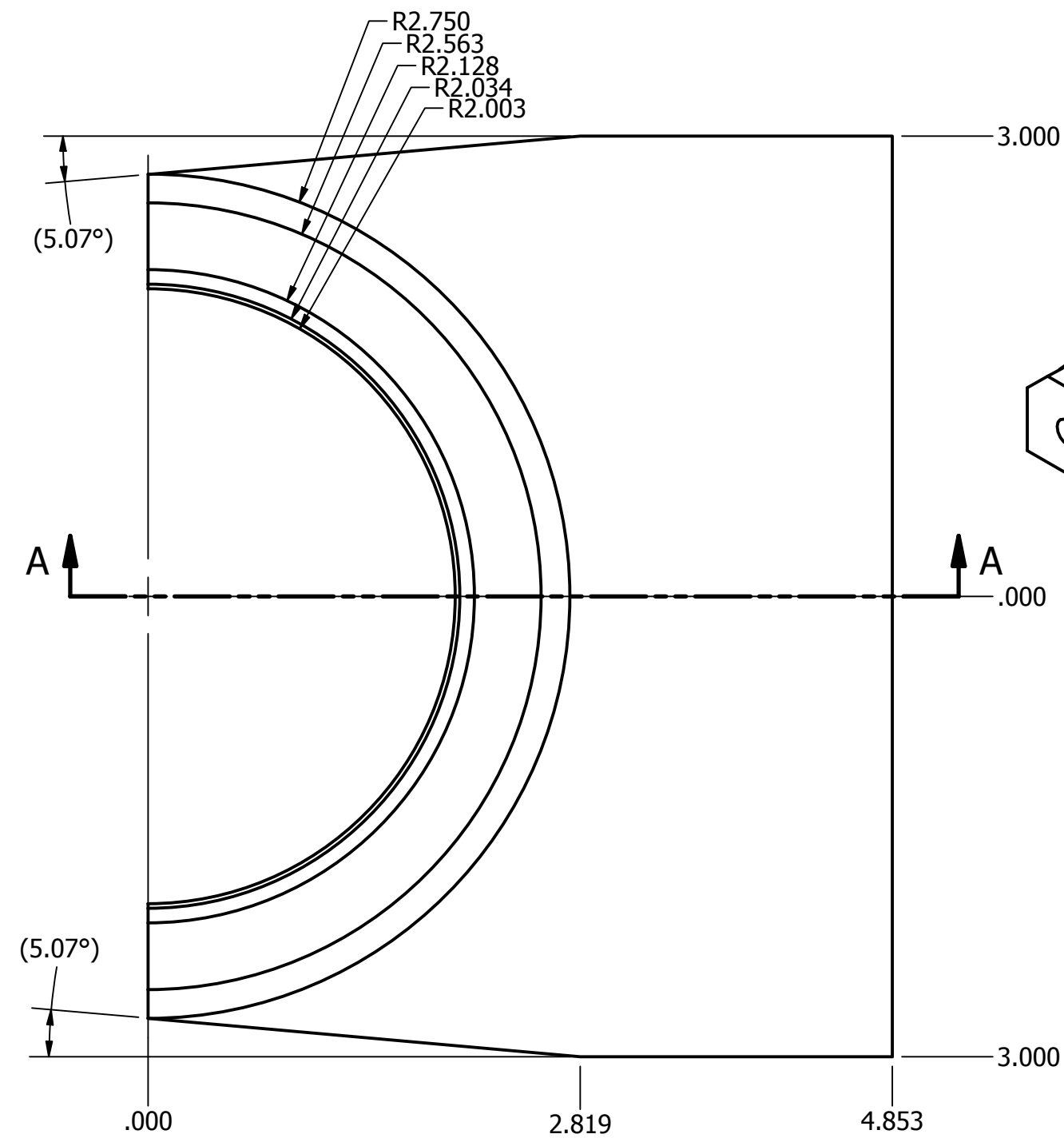


REVISION HISTORY				
ZONE	REV	DESCRIPTION	DATE	APPROVED
	-		9/17/2018	



SECTION A-A

Notes:
Material: 6061-T6 Aluminum

DRAWN S. Cannon	9/17/2018	NMSU Physical Science Laboratory		
CHECKED		TITLE		
QA		E1039 PPT Bellows Support Detail		
MFG		SIZE C	DWG NO MDT-017990-0200-01	REV -
APPROVED		SCALE 1 : 1	SHEET 1 OF 1	