



E1039 Target Frame and Lift Table Status

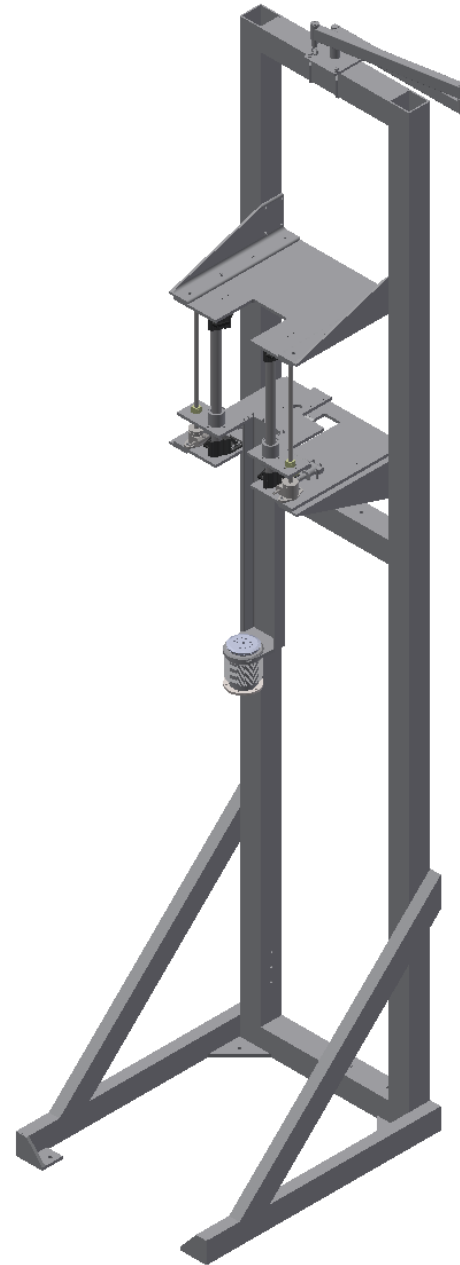
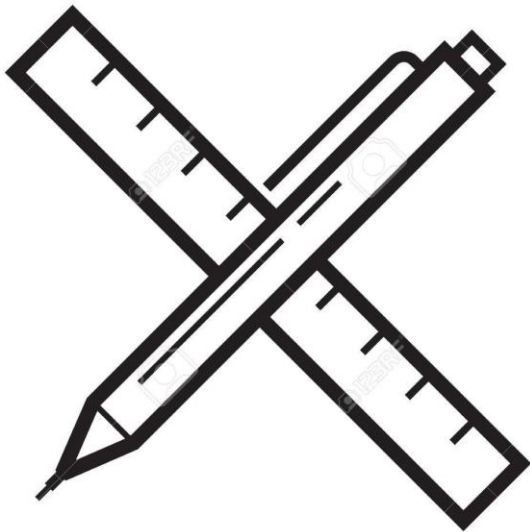
Scott Cannon

NMSU Physical Science Laboratory

(575) 646-9332

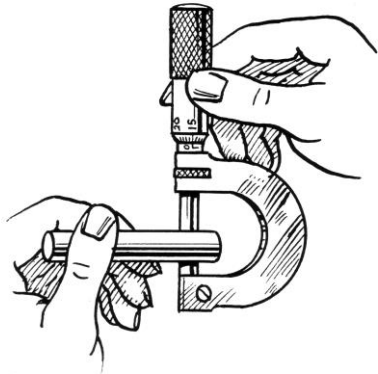
October 2, 2018

Detailed Design



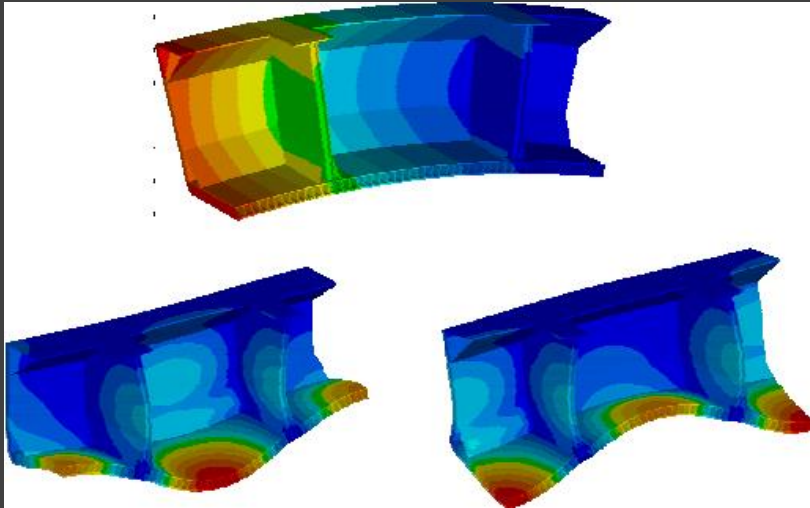
- Detailed design is complete (pending review by Don Mitchell)
- Accommodations for Gate Valve Support (four $\frac{1}{4}$ -20s) and Insulating Vacuum Bracket B (four $\frac{3}{8}$ -16s)
- Complete and up-to-date model, document list and drawing set on SeaQuest.
- Model (STEP) has been sent to Don Mitchell
 - “I’ll integrate your design into our current model to see how everything fits and to give people a chance to see the proposed designs”.

Fabrication



- Parts list generated (SeaQuest) – continuing to update as price/lead-time information comes in from vendors
- Bellows assembly – **Lower flange ID question still to be answered by Dustin**, order ready to be placed, 8 week lead time (11/27 if ordered today)
- PSL Machine Shop generating quote for machined parts and welded assembly
 - PSL understands priority is on shipping support frame ASAP and follow-up with lift assembly
- McMaster-Carr order ready to be placed
- Screw jacks (2) are 6 week lead time (11/13 if ordered today)
- Need to discuss surface finishing requirements

Analysis



- Analysis has begun in the form of preparing Inventor model for FEA (static structural and buckling) analysis
- Hand (Mathcad) calculations of fittings/fasteners has begun
- Analyses will be performed in parallel with fabrication
- No results available at this time